

Introduction

Congratulations to the new GPX Owner! GP Motor (Thailand) Co., Ltd. would like to thank you for your trust in purchasing this motorcycle. With our sophisticated engineering innovation, GPX Demon 150GN is finely crafted to be one of the decent motorcycles one can desire for. The design is aimed for it to be a handy, economy and easy to use motorbike, nevertheless safety and efficiency come as its true ultimate.

Please study this owner's manual in order for you to enjoy all the advantages of the vehicle. This manual also gives you the basic instructions on how to operate, keep proper care of your bike including trouble-shooting tips. For further questions and helps please contact any GPX dealers near you.

Yours sincerely,

GP Motor (Thailand) Co., Ltd.

Contents

- Safety Riding	4
- General Information	7
• Parts Location	7
• Chassis Number/Engine Serial Number	11
• Ignition Key	12
• Fuel Tank Cap	13
- Starting Engine	14
• Fuel Tank Valve	15
• Starter Lever (CHOKE)	16
- Start Riding	17
• Taking Off	17
• Shifting Gear	18
• Brakes	20

Contents

- Inspection and Adjustment	21
• Maintenance and Service	21
• Engine Oil	22
• Spark Plug	23
• Maintenance and Adjustment	24
• Air Filter	25
• Battery	26
• Brakes	27
• Clutch	29
• Drive Chain	30
• Tires	31
• Speedometer Setting	32
• Cleaning	33
• Motorcycle Care for Long Storage	38
• Specifications	41

Safety to Riding

Instructions for Safe Ride

Perform pre-operation check each time you use the vehicle to make sure it is in safe condition.

Always wear safety helmet, goggles, gloves and boots to help minimize the road accidents.

This motorcycle is not designed to come with any shield to protect your body from crashing in an accident, therefore wearing the right gear could save your life. However they must be comfortably well-fitted and not obstructing your visions and moves that can lead to accidents.

Always signal and look thoroughly before changing lanes. Do not rely only on the side mirrors but also evaluate the speed and distance of other vehicles.

Downshifting when riding up and down steep slopes to save fuel and keep the engine from surging at high revs.

Use both front and rear brakes at the same time together for safer stop. Using one brake with too much force could make you lose control.

Riding on the wet road, maintain your steady speed and use less the brakes.

Riding down the hilly terrain, fully release the throttle to reduce speed and use both brakes simultaneously.

If you have a sudden urge to speed up while riding, downshifting gear to get full response of the engine for power to accelerate.

Riding at an appropriate speed and avoid excessive speed for a safety ride, fuel economy and keeping your motorbike to last.

Be more careful when riding on the wet and slippery road. Reduce speed and keep control, avoid sudden turning and braking.

Do not use low gear at the high speed or high rpm to avoid causing damage to the engine.

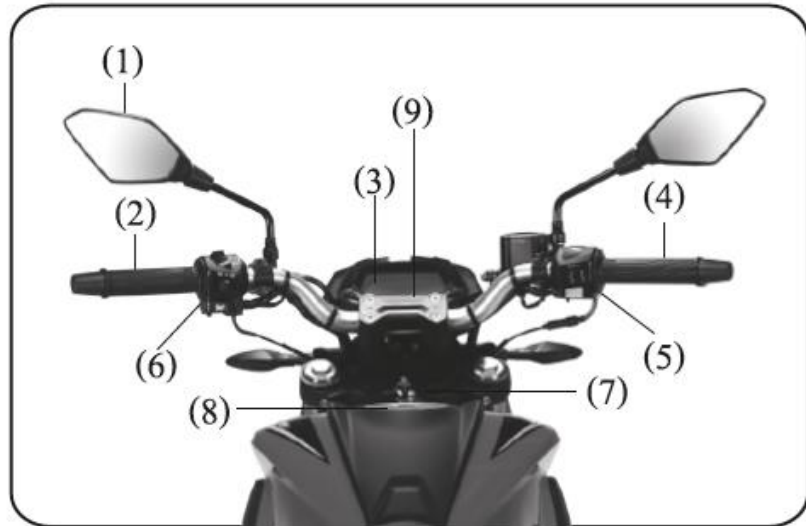
At all time of riding your hands must be holding the handlebars and your feet are firmly on the pegs.

Above rules are mandatory and need to be followed strictly for your safety, as well to keep the vehicle at its best performance and last longer.

General Information

Parts Location

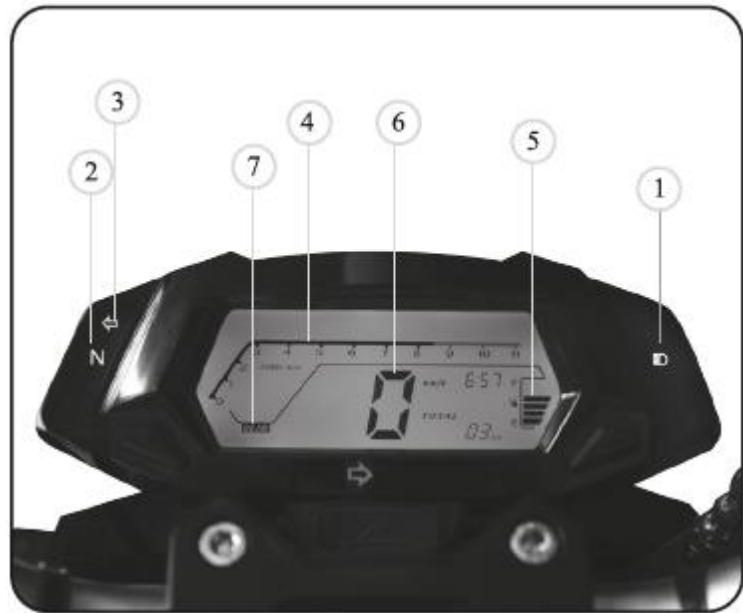
- 1) Mirror
- 2) Clutch Lever
- 3) Speedometer
- 4) Hand Brake
- 5) Right Hand Switch
- 6) Left Hand Switch
- 7) Ignition Switch Key
- 8) Fuel Tank Cap
- 9) USB Port



General Information

Odometer

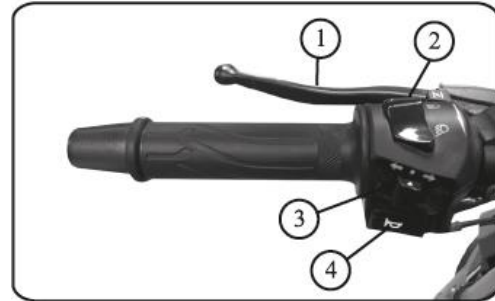
- 1) High Beam
- 2) Neutral Gear Light
- 3) Indicator
- 4) Tachometer
- 5) Fuel Gauge
- 6) Speedometer
- 7) Gear Position Light



General Information

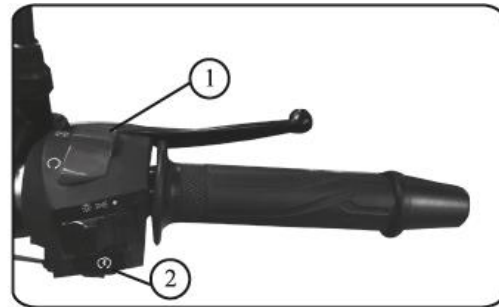
Left Handlebar

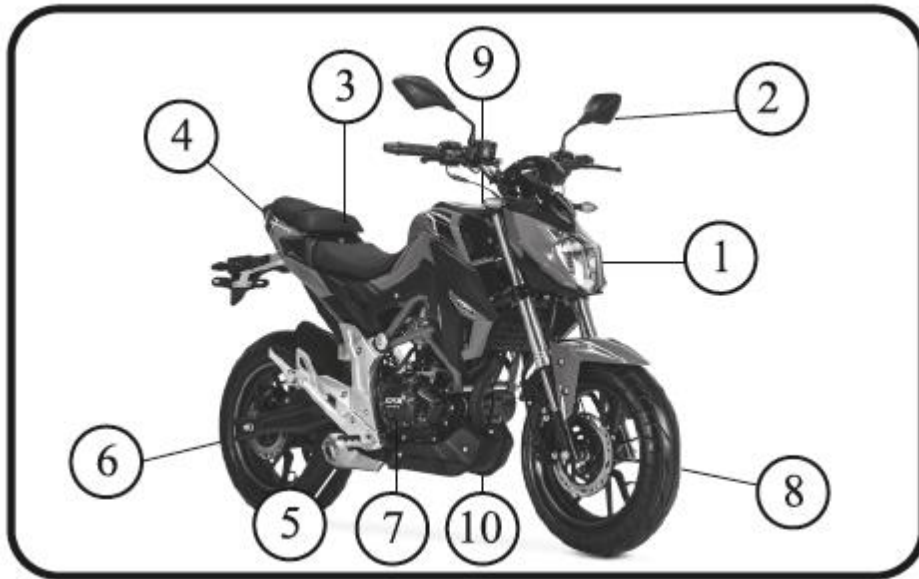
- 1) Clutch
- 2) Lights High/Low Beam
- 3) Indicators
- 4) Horn



Right Handlebar

- 1) Engine Kill Switch
- 2) Ignition Switch





1. Main Head Light
2. Mirror
3. Seat
4. Tail/Brake Light
5. Muffler

6. Rear Drum Brake
7. Engine
8. Front Brake Disc
9. Fuel Tank
10. Fairing

Chassis Number / Engine Serial Number



1. Chassis identification code number is embossed on the right side of the steering neck (A).



2. Engine serial code number is embossed on the right side of the gear lever pedal (B).

Ignition Key

Ignition

Ignition key switches in 2 ways, i.e. LOCK, OFF ~~⊗~~ and ON \curvearrowright



- A. Key Slot
- B. ON Position \curvearrowright
- C. OFF Position ~~⊗~~
- D. Steering LOCK Position

Fuel Tank Cap



- Opening - Lift the Key Lid
- insert the key and turn clockwise
- Lift the fuel cap



- Closing - Push the cap down
- Pull off the key




- Seat Lock is located behind the rider
(A) Seat Lock

Starting the Engine



There are 2 ways to start the engine

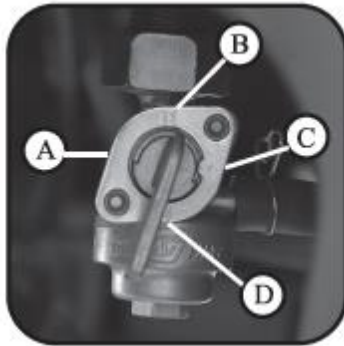
1. Starting at neutral position
2. Starting at gear shifted
 - switch ignition to ON
 - switch to Position 
 - squeeze and hold the clutch lever
 - push the start button

Starting the Engine

Fuel Valve

The valve can be switched in 3 ways, which are OFF, ON and RES

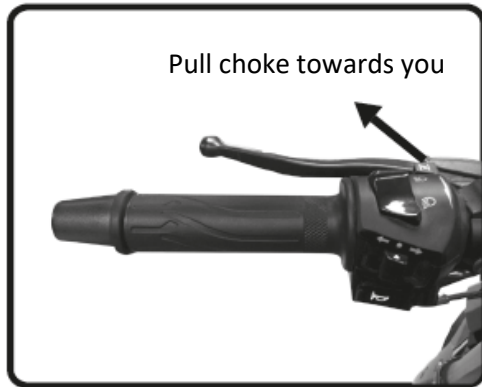
At a normal use, the valve is at the ON position (B). When the fuel runs out, you can switch the valve to RES (D) position to use the reserved fuel which has about 1 litre in.



- A. Fuel Valve
- B. ON Position
- C. OFF Position
- D. RES Position

Cold Engine Starting

Using the Choke to help Start Cold Engine

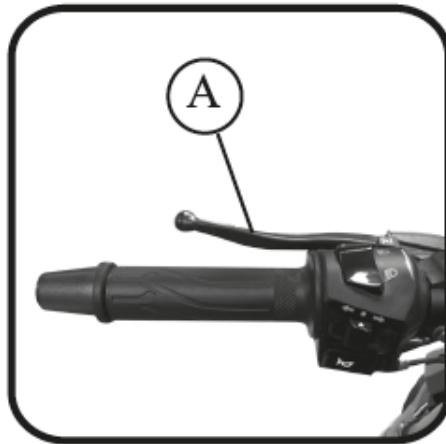


- Pull the choke knob towards you
- Turn the engine on as usual
- Allow the engine to warm up until ready (at about 60° C)
- Push the choke knob back to position
- You are good to go

Riding

Taking Off

- Kick up the stand
- Squeeze clutch (A)
- Shift to first gear (tap down the shifter once)
- Gently and slightly twist the throttle until the bike begins to move forward

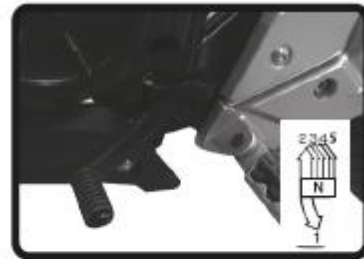


Riding

Shifting Gear

This motorcycle is designed to come with 5 gear speeds. The gear pattern starts with tapping one down for the 1st gear, pulling up for higher shifts and tapping down for lower shifts.

- 1st gear : pull the clutch towards you (A), at the same time shift into 1st gear by tapping downwards once on the shifter. Release your foot when the gear is in position.
- Next gears : squeeze the clutch and move the gear shifts upwards to upshift the remaining gears and release your foot when complete, to permit it to reset for the next shift.
- Shifting to Neutral (N) : squeeze the clutch, kick the shifter down once to get to 1st gear and kick up very softly once to get to the Neutral (N).



Caution : Always use the clutch when changing gears for smooth shifting.

Riding

Speed to Shifting

Gear Position	Speed KM/Hr
1 st	10-20
2 nd	20-40
3 rd	40-60
4 th	60-70
5 th	70-120

Riding

Braking

- Close the throttle completely without using the clutch (unless you need to shift gear) to help slowdown the engine.
- Gradually downshift until you are in the 1st gear and the bike stops.
- Use both front brake (A) and rear brake (B) together
- Do not grab harshly at the brake, your front wheel will lock very easily and this cause you to skid out of control. Slowdown when you want to make turnings.
- In case of emergency stop : apply the right pressure to the brake, try to keep control and downshift the gears.



Periodic Maintenance and Service

#	Check List	Description	Mileage			
			1,000	4,000	7,000	10,000
1	Valve Clearance	Check tightness, adjust if necessary	•	•	•	•
2	Spark Plug	Clean, change if necessary	•	•	•	•
3	Air Filter	Clean, change if necessary		•	•	•
4	Carburetor	Check idle speed, adjust if necessary	•	•	•	•
5	Fuel Line	Check leakage or abrasion, change if necessary		•	•	•
6	Engine Oil	Change (warm engine before draining)	•	•	every 3,000 KM	
7	Brakes	Check, adjust brake performance				
8	Swingarm Axle	Fasten				•
9	Wheels	Check alignment, change if necessary			•	•
10	Wheel Bearings	Fasten, loosen or change if necessary	•	•		•
11	Steering Head Bearings	Fasten/loosen, replace lubricant at every 8,000 KM			•	•
12	Shock Absorber	Check for oil leakage, change as necessary			•	•
13	Rear Suspension	Check for oil leakage, change as necessary			•	•
14	Drive Chain	Check the slack, change if necessary	every 500 KM			
15	Fasteners	Check overall fasteners, adjust as necessary	•	•	•	•
16	Kick Stand	Check spring resistance, lubricate pivot	•	•	•	•
17	Electrical Equipment	Check all lights, signals and switches	•	•	•	•
18	Battery	Replace as necessary		•	•	•

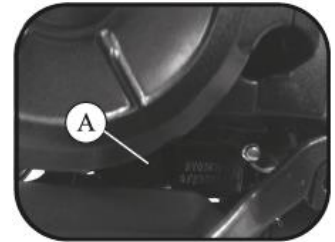
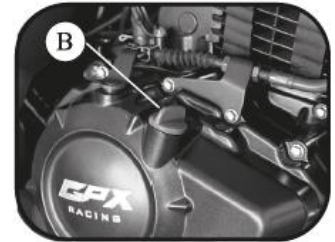
Maintenance and Adjustment

Engine Oil

To keep the vehicle's engine, gearbox and clutch work at its best performance, always maintain the level of the engine oil and change at regular intervals.

Changing Oil

1. Run the engine in idle position to warm-up, then stop the engine.
2. Place the oil tray underneath the engine.
3. Remove the drain bolt #24 (A) and washer.
4. Remove the oil dip stick (B).
5. Allow the oil to drain completely, with your bike in upright position.
6. Refit the #24 drain bolt and fill the oil as specified torque.
7. Check oil level with the dip-stick (B).

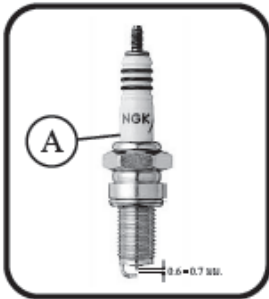
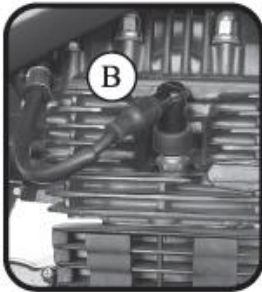


Tightening Torque 10 W 40 API SL Capacity (with filter element replacement) : 1.5 Ltr. Capacity (without filter element replacement) : 1.3 Ltr.

Caution : Check the washer for damage

Maintenance and Adjustment

Spark Plug



(A) Spark Plug

(B) Spark Plug Cap

Remove/Change Spark Plug

- Remove the spark plug cap (B)
- Unthread the plug using a wrench included in the owner's tool kit.
- Thread and tighten the new plug in by reversing the removal steps.

Specified Spark Plug	NGK D8EA
Gap	0.6 - 0.7 mm
Tightening Torque	20 Nm.

Maintenance and Adjustment

Carburetor Adjustment (Idling Speed)



Perform idling speed intervals check as regular as specified in the maintenance schedule, but before time, if it doesn't work right you may try these

- Start the engine, allow it to warm up a while
- Wait till rpm drop to idle speed
- Have the engine idling speed tuned to 1200 rpm by adjusting the idle speed screw (A)

Maintenance and Adjustment Air Filter

When air filter is dirty, it affects the engine performance and fuel economy, and possibly deteriorates the spark plug.

Remarks : Avoid storing things in the seat for better air flow.



Removing the Air Filter

- Remove the seat
- Remove the airbox case cover on the right
- Remove the air filter cap
- Clean the filter



Reinstall

- Reinstall by reversing the removing steps

Maintenance and Adjustment



Battery

This motorcycle is equipped with the VRLA battery. There is no need to check or add distilled water.

Removing Battery

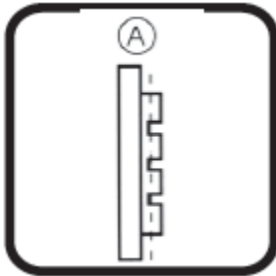
- Remove the passenger's seat
- Remove the rider's seat
- Remove the rubber strap
- Remove the battery leads, first the negative (-), then the positive (+) respectively for safety reason
- Replace and reinstall by reverse removing steps.



Battery Capacity	
FB FTZ7S	12V6.3A

Maintenance and Adjustment

Brakes



Front Brake / Brake Disc

If the brake pad had worn to less than 1 mm thick, have both as a set changed.



Brake Fluid

- The fluid level must always be above the minimum mark (A). If you find the fluid is low as to hitting the bottom level (B), check the followings :
 - Check brake pads for wear, change if necessary and the fluid will flow the upper level.
 - Check for leakage, at top and bottom of the pump housing and each fluid lines

Standard Brake Fluid
DOT 4

Maintenance and Adjustment Brakes



Rear Brake / Drum Brake

If the brake pad had worn to less than 1 mm thick, have it changed.



Brake Fluid

- The fluid level must always be above the minimum mark. If you find the fluid is low as to hitting the bottom level, check the followings :
 - Check brake pads for wear, change if necessary and the fluid will flow the upper level.
 - Check for leakage, at top and bottom of the pump housing and each fluid lines

Maintenance and Adjustment

Clutch

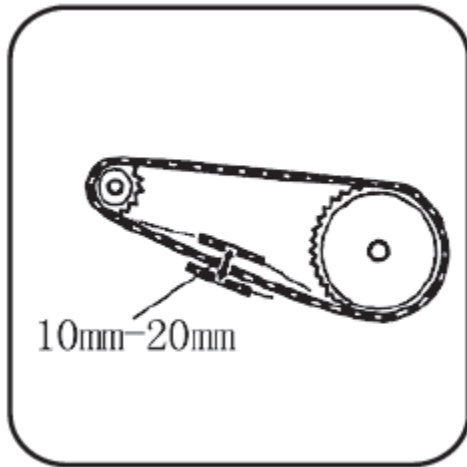
Worn out clutch makes it difficult to shift gears and may even cause damage to gearbox. Therefore it is necessary to have the clutch checked and adjusted per scheduled.

- Turn the cable adjuster nut which is located on the right of the engine (A)
- Adjust clutch lever free play to 5-10 mm



Maintenance and Adjustment

Drive Chain



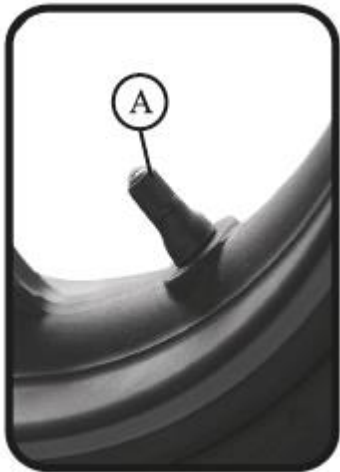
Checking the drive chain slack

- Place the bike on the side stand
- Push up and press down the midway point between the front and rear sprockets.
- If the slack found too low, adjust it to the 10-20 mm.

Specified Tension : 10-20 mm

Maintenance and Adjustment

Tires



Checking air pressure

Keeping the tires air pressure up to the specification gets it the best traction and performance on the road.

Checking the pressure

- Unscrew the valve stem cap (A)
- Use tire pressure gauge to read the pressure

	Pressure	Tire Size
Front	28 psi	120/70-14
Rear	30 psi	140/70-14



Odometer Setting

- 1) Press the left button for TOTAL or TRIP
- 2) At TRIP, press and hold RESET to set 0

Meter Light Setting

- 1) Press the right button to choose the light color
- 2) Press and hold the right button to adjust the brightness

Clock Setting

- 1) Go to TOTAL
- 2) Press and hold the left button until the numbers blink
- 3) Adjust the time with the right button

Speed Mode Setting

- 1) Go to TRIP
- 2) Press and hold the right button to choose MPH or KM/H

Maintenance and Adjustment

Cleaning

Frequent and proper care taking will keep your bike looking good, extend its life and optimize its performances. Besides cleaning, use the breathable and UV protection cover to keep your bike away from dust or tiny particles that may harm the paint coat.

- The engine and muffler need to be really cold before you do washing.
- Take extra care on seals, brake pads and rubber parts from contacting grease.
- Use no-harsh cleaning agent and is friendly to the paint.
- Avoid using the very chemical detergent which contain ammonia, especially those home glass cleaner.
- Benzene, brake fluid and radiator coolant are harmful to plastic parts, clean the parts as soon as you can if tainted.
- Do not use hard or spiky brush that can scratch the bike surfaces.

Maintenance and Adjustment

Cleaning

- Pay attention not to make scratches when cleaning the headlight and those plastic parts. Avoid using high-pressure water spray where seals and electric components are, water seepage can cause damage.

Make sure not to spray water to clean the following delicate parts : airbox, ECU, brakes, all electric connectors, muffler hole, fuel tank cap.

- First, rinse away the dust and remove dirt with water.
- Mix the cleaning agent and water to the proportion, use soft clean cloth or sponge to gently rub the bike.
- Rinse off with soft- or foggy-spray of clean water
- Wipe with soft cloth to dry and see if all dirt is gone
- Air blower is not recommended to dry your bike, it may cause flaws to the paint finish
- Restart the engine at and run idle speed to warm up
- Ride slowly after washing. Check both brakes by squeezing front and stamping rear brakes several times to help dry the pads.

Maintenance and Adjustment

Cleaning

- Dry and lube the drive chain to prevent it from rusting.

-----Notice-----

- Immediately wash your bike after riding near the sea road or getting wet with sea-salt water. Do not use the warm water, it increases the corrosive action of the salt.
- After a ride in the rain, if condensation got in your headlight lens, clean and dry your bike. Run the engine and turn the headlight on to dry the moist.

Paint Finished Parts

After done wash and dry, wax and polish all the painted surface plus the metal and plastic parts. This should be done once in every three months. Avoid using paint removers that will impair the wax coatings.

Maintenance and Adjustment

Cleaning

Plastic parts

Dry plastic parts with soft cloth after washing, headlight lenses and all other plastic parts. Polish with motorcycle plastic care product.

Important Notes :

Using common home cleaner can easily damage the motorcycle's plastic parts, e.g. benzene, brake fluid, glass cleaner, thread locker, etc. If the plastic parts get in contact with the aforementioned, clean and check for damage immediately. Do not use sand paper or wire brush to scrub on the plastic surface.

Maintenance and Adjustment

Cleaning

Chrome and Aluminium

After washing, use a chrome polish to shine the chrome and aluminium parts or apply a corrosion protection spray on both metal parts.

Cleaning aluminium wheels (coated or non-coated), use only the non-acidic aluminium wheel cleaner to avoid damages.

Leather, Vinyl and Rubber Parts

If your motorcycle is equipped with leather, use the leather cleaner. Same to vinyl, use the vinyl cleaner. Using general home cleaner or just water will shorten the life of the part.

For rubber parts or tires, polish and coat with tire dressing spray or liquid to keep them long last.

Maintenance and Adjustment

Cleaning



CAUTION

Be cautious with the tire dressing, apply where it does not make contact with the ground. This may cause bad grip and loss of control.

-----Long-time Storage-----

Preparing your bike for long storage

- Clean your bike
- Start the engine for a while and drain the engine oil
- Fill new engine oil in up to the marked level

Maintenance and Adjustment

Long-time Storage

- Empty completely the fuel tank. Drain the carburetor float chamber by loosening the drain bolt located at the bottom; this is to prevent fuel deposits from building up causing the transmission to clog.



CAUTION

Gasoline commonly gives amount of flammable vapours. Store your bike in a well ventilated place, switch the ignition key to OFF position. Do not smoke and avoid generation of ignition sources. Gasoline is hazardous material and needs to be disposed of properly.

- Remove the spark plug. Pour tiny bit of engine oil, by using the oil can, into the spark plug holes. Start the engine, this is to allow the oil to coat thoroughly on the cylinder wall, then put the spark plugs back in.

Maintenance and Adjustment

Long-time Storage



CAUTION

Be careful! Oil can squirt to your eye or face while injecting it in to the spark plug hole. If this happens rinse with lots of water and rush to doctor to make sure it won't sustain permanent damage.

Specification

Engine	149 cc, 4 strokes
Serial	Demon 150GN
Cylinder	1
Cooling System	Air-cooled
Bore x Stroke	62 mm x 49.50 mm
Produces Max. Power	8.7 kw at 7,500 rpm.
Starting System	Electric Starter
Ignition System	CDI
Clutch	Wet type
Gear	5 speed
Dimensions:	
Length	1,800 mm
Width	800 mm
Seat Height from Ground	1,200 mm

Specification

Wheelbase	770 mm
Weight	124 kg
Idle Speed	1,400 rpm
Gear Ratio :	
1 st	3.80
2 nd	2.06
3 rd	1.45
4 th	1.13
5 th	0.95
Battery	12v – 6.3Ah
Front Light	12V 35/35w
Tail Light	LED
Fuel Tank Capacity	8 Litre

