



Kickin' it

What' zaap?

POPZ

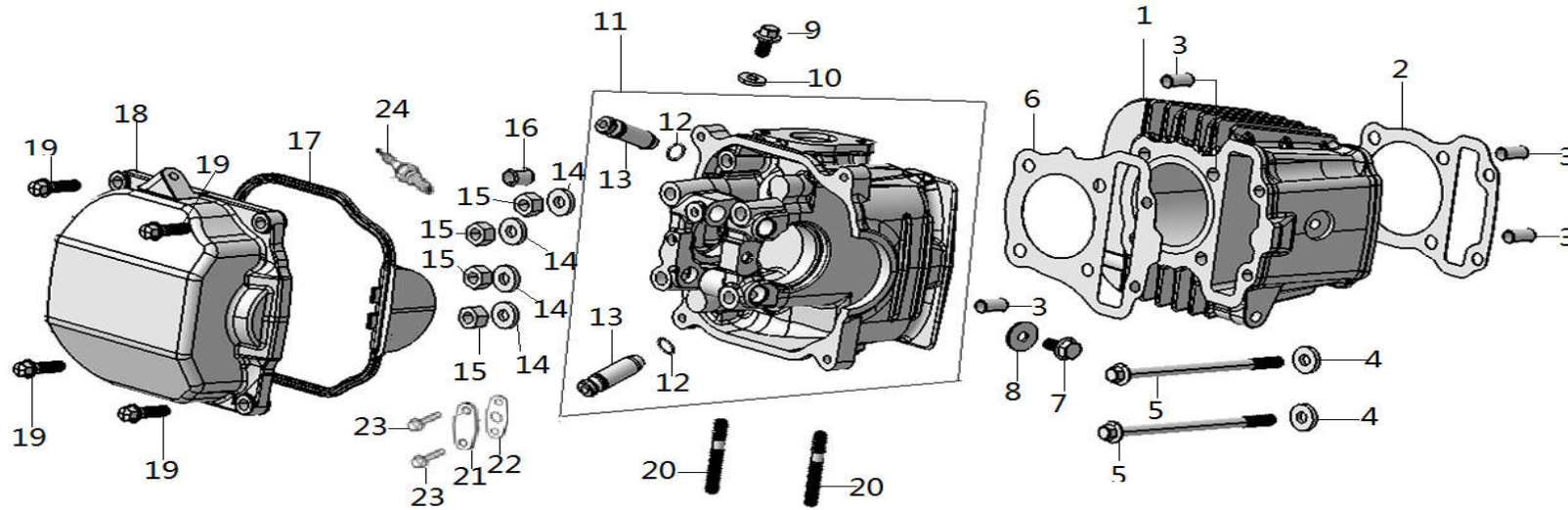
POPZ

popz

IT'S POPZ, IT'S ME.

E-1

(CYLINDER/CYLINDER HEAD)

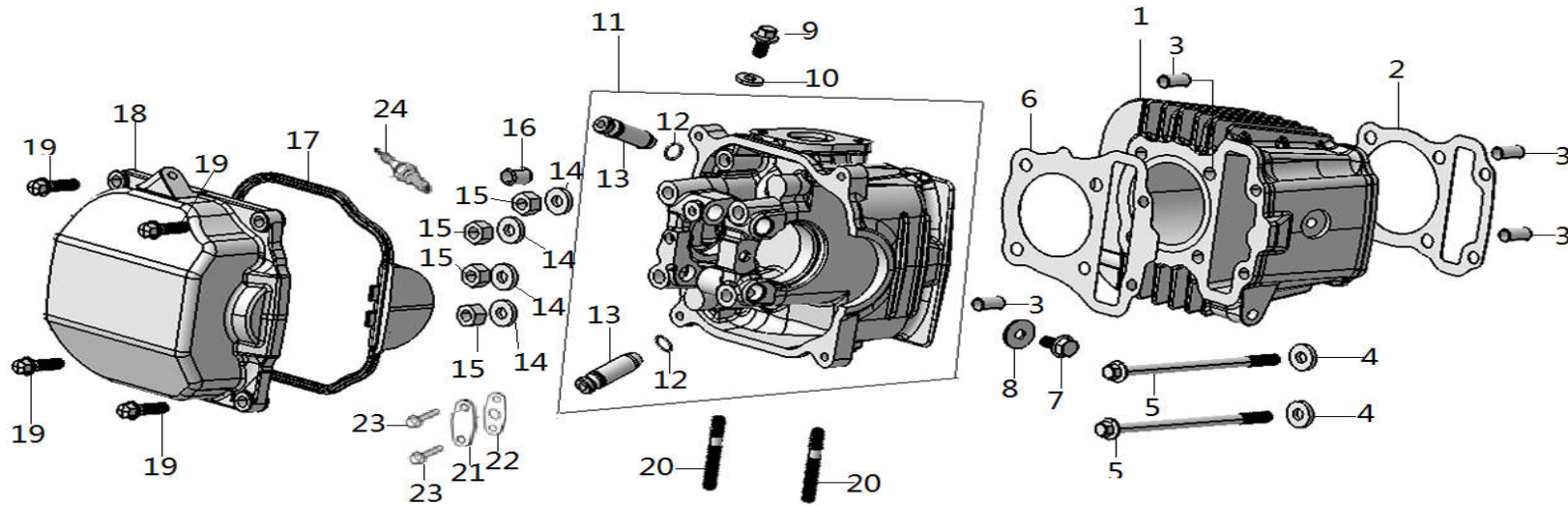


S/N	PART CODE	ENGLISH DESCRIPTION	QTY	UNITS	ORDER
E1-1		CYLINDER	1	PCS	
E1-2	DYJ-122100-064000	GASKET,CYLINDER	1	PCS	
E1-3	W100-110003-002010	PIN.DOWEL,8x14	4	PCS	
E1-4	GB/T-P097.1-060017	WASHER.6MM	2	PCS	
E1-5	GB/T-B1667A-061017	BOLT,FLANGE,M6X100	2	PCS	
E1-6	DYJ-121200-083000	GASKET ASSY,CYLINDER HEAD	1	PCS	
E1-7		BOLT,FLANGE,M6x12	0	PCS	
E1-8		WASHER.6MM	0	PCS	
E1-9	GB/T-P1667A-061216	BOLT,FLANGE,M6x12	1	PCS	
E1-10	GB/T-P097.1-060017	WASHER.6MM	1	PCS	
E1-11	DYJ-121000-533000	CYLINDER HEAD	1	PCS	

E1-12		CLIP,GUIDE,EXHAUST VALVE	2	PCS	
E1-13		GUIDE,EXHAUST VALVE	1	PCS	
E1-14	DYJ-P097.1-AYW000	WASHER.7MM	4	PCS	
E1-15	DYJ-P06170-147000	NUT,HEX,M7	4	PCS	
E1-16	W100-110003-003010	PIN,DOWEL,8X12	1	PCS	

E-1

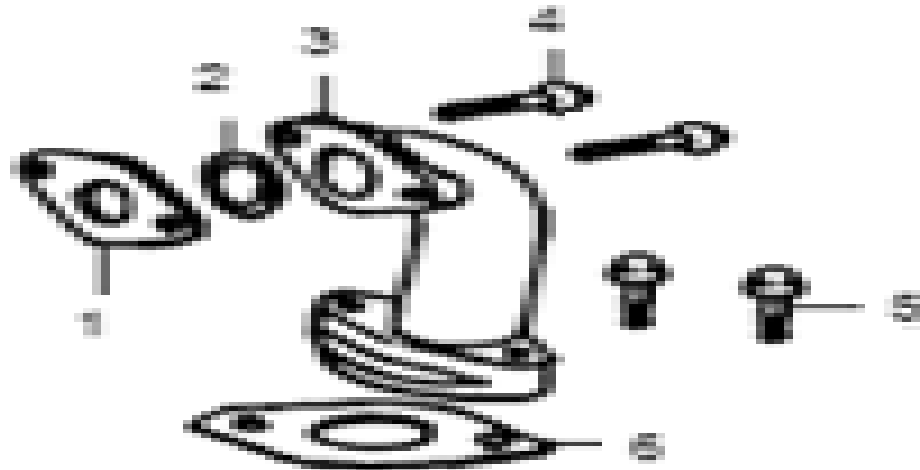
(CYLINDER/CYLINDER HEAD)



S/N	PART CODE	ENGLISH DESCRIPTION	QTY	UNITS	ORDER
E1-17	DYJ-810107-01000	RING,COVER,CYLINDER HEAD	1	PCS	
E1-18	DYJ-121100-104000	COVER,CYLINDER HEAD	1	PCS	
E1-19	GB/T-P1667A-062516	BOLT,FLANGE,M6X25	4	PCS	
E1-20	GB/T-C00900-080317	BOLT,STUD,M8*35	2	PCS	
E1-21		2ND AIR PLATE	1	PCS	
E1-22		GASKET ,2ND AIR PLATE	1	PCS	
E1-23	GB/T-P1667A-061616	BOLT,FLANGE,M6X16	2	PCS	
E1-24	DYJ-181000-033000	PLUG,SPARK	1	PCS	

E-2

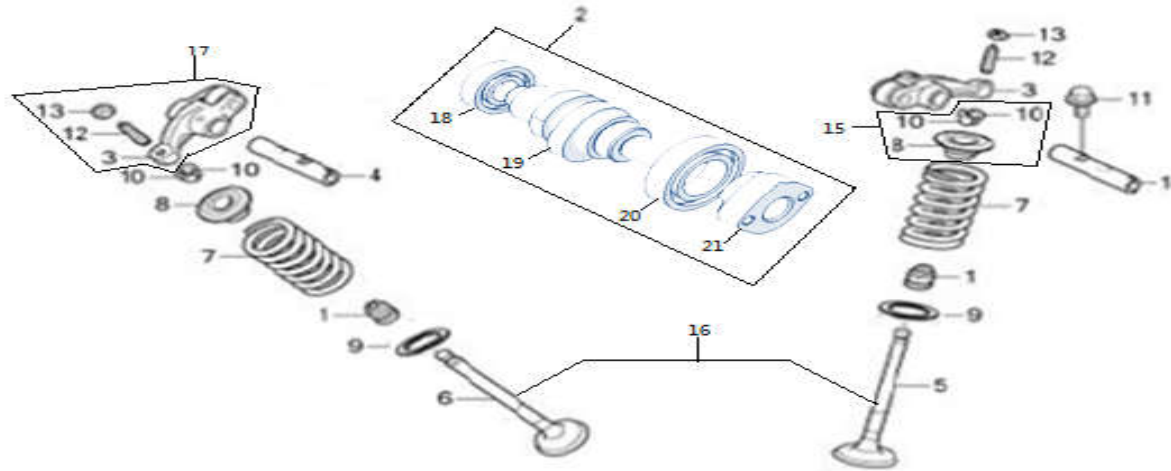
(PIPE,IN)



S/N	PART CODE	ENGLISH DESCRIPTION	QTY	UNITS	ORDER
E2-1	DYJ-143100-020000	INSULATOR,CARBURETOR	1	PCS	
E2-2		O-RING,25x2.4	1	PCS	
E2-3		INTAKE TUBE	1	PCS	
E2-4		BOLT,HEX,M6x30	2	PCS	
E2-5	GB/T-P070.1-060210	BOLT,HEX,M6x25	2	PCS	
E2-6		GASKET,INTAKE TUBE	1	PCS	

E-3

(CAMSHAFT/VALVE)

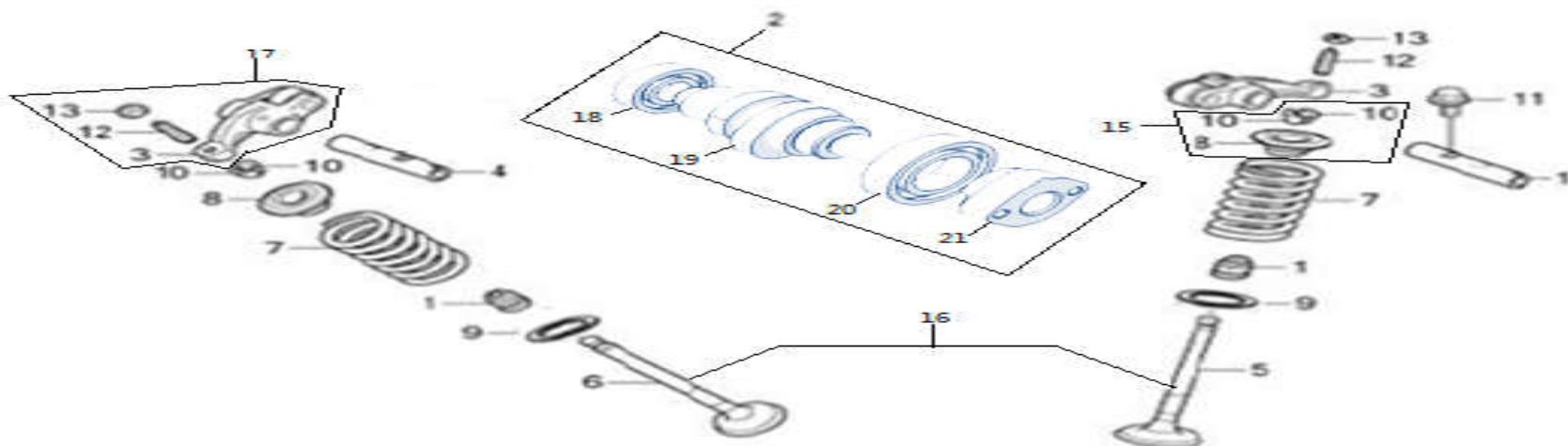


S/N	PART CODE	ENGLISH DESCRIPTION	QTY	UNITS	ORDER
E3-1	DYJ-140100-012000	SEAL,VALVE STEM	2	PCS	
E3-2	DYJ-140059-016000	CAMSHAFT ASSY.	1	PCS	
E3-3		VALVE ROCKER ARM	2	PCS	
E3-4	DYJ-140033-003000	SHAFT,VALVE ROCKER ARM EX	1	PCS	
E3-5	DYJ-140001-048000	VALVE,INLET	1	PCS	
E3-6	DYJ-140002-048000	VALVE,EXHAUST	1	PCS	
E3-7	DYJ-140003-021000	SPRING,VALVE OUTER	2	PCS	
E3-8		RETAINER,VALVE SPRING	2	PCS	
E3-9	DYJ-140005-007000	SEAT,VALVE SPRING OUTER	2	PCS	
E3-10	DYJ-140007-017000	COTTER,VALVE	4	PCS	
E3-11	DYJ-P1667A-868000	BOLT,FLANGE,M5x12	1	PCS	
E3-12	DYJ-480005-DDF000	BOLT,TAPPET ADJUSTING	2	SETS	

E3-12	DYJ-480005-DDF000	BOLT,TAPPET ADJUSTING	2	PCS	
E3-13	DYJ-480005-DDF000	NUT,TAPPET ADJUSTING	2	PCS	
E3-14	DYJ-140033-003000	SHAFT,VALVE ROCKER ARM EX	1	PCS	
E3-15	DYJ-140046-000000	SPRING SEAT&VALVE COTTER ASSY	2	PCS	
E3-16	DYJ-140047-000000	AIR VALVE ASSY	2	PCS	

E-3

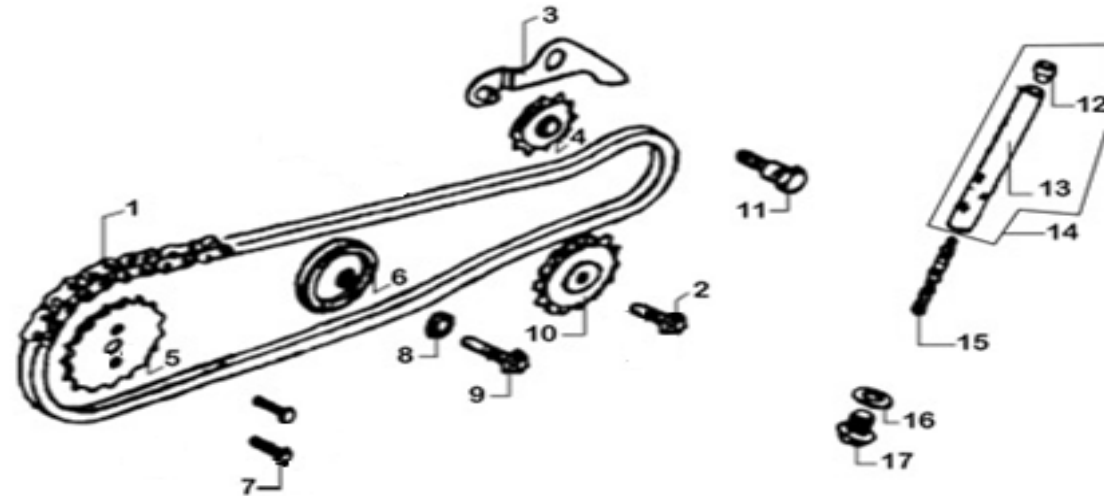
(CAMSHAFT/VALVE)



S/N	PART CODE	ENGLISH DESCRIPTION	QTY	UNITS	ORDER
E3-17	DYJ-140035-F9T000	VALVE ROCKER ARM ASSY	2	PCS	
E3-18	DYJ-P00276-NSR000	BALL BEARING 6001Z	1	PCS	
E3-19		CAMSHAFT	1	PCS	
E3-20	DYJ-P00276-NTW000	BALL BEARING 61904	1	PCS	
E3-21		CAMSHAFT FLANGE	1	PCS	

E-4

(CAM CHAIN/TENSIONER)

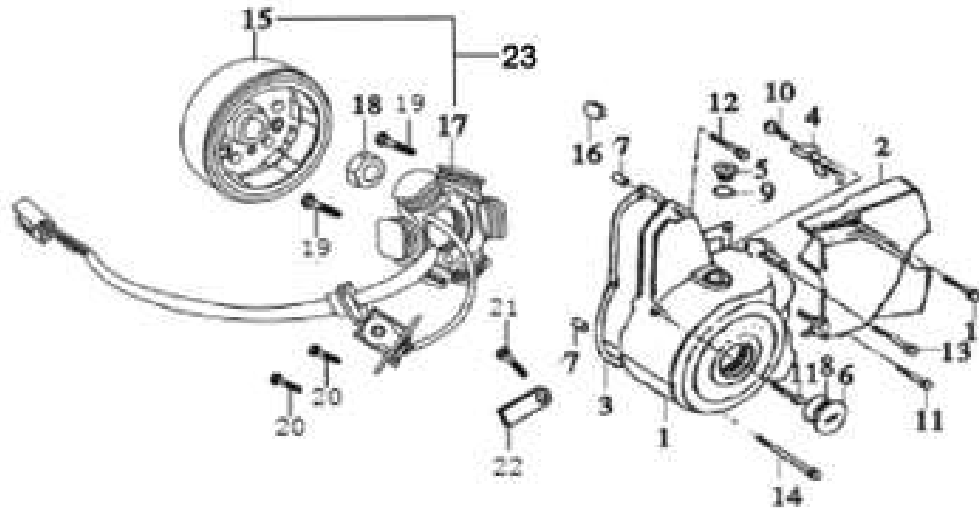


S/N	PART CODE	ENGLISH DESCRIPTION	QTY	UNITS	ORDER
E4-1	DYJ-140600-030000	CHAIN,CAM(90T)	1	PCS	
E4-2	DYJ-841420-092000	SOKET HEAD CAP SCREW M6x14	1	PCS	
E4-3	DYJ-151200-002000	ARM COMP,CAM CHAIN TENSIONER	1	PCS	
E4-4	DYJ-151300-003000	ROLLER,CAM CHAIN TENSIONER	1	PCS	
E4-5	DYJ-140018-021000	SPROCKET,CAM	1	PCS	
E4-6	DYJ-140700-004000	ROLLER COMP,CAM CHAIN GUIDE	1	PCS	
E4-7	DYJ-480005-DDG000	BOLT,KNOCK,M5x12	3	PCS	
E4-8	DYJ-P097.1-AYX000	WASHER,8x14x1.5	1	PCS	
E4-9	DYJ-140019-006000	PIN,CAM CHAIN GUIDE ROLLER	1	PCS	
E4-10	DYJ-151300-004000	ROLLER,CAM CHAIN TENSIONER	1	PCS	

E4-11	DYJ-151002-002000	PIVOT,CAM CHAIN TENSIONER	1	PCS	
E4-12	DYJ-151016-000000	HEAD,CAM CHAIN TENSIONER PUSH	1	PCS	
E4-13	DYJ-151013-002000	ROD COMP,CAM CHAIN TENSIONER	1	PCS	
E4-14	DYJ-151017-000000	ROD COMP,CAM CHAIN TENSIONER	1	PCS	
E4-15	DYJ-842031-006000	SPRING,CAM CHAIN TENSIONER 0.7	1	PCS	
E4-16	DYJ-811081-000000	WASHER,SEALING,14MM	1	PCS	
E4-17	DYJ-130003-004000	BOLT,SEALING,M14x1.5	1	PCS	

E-5

(GENERATOR/L, CRANKCASE COVER)

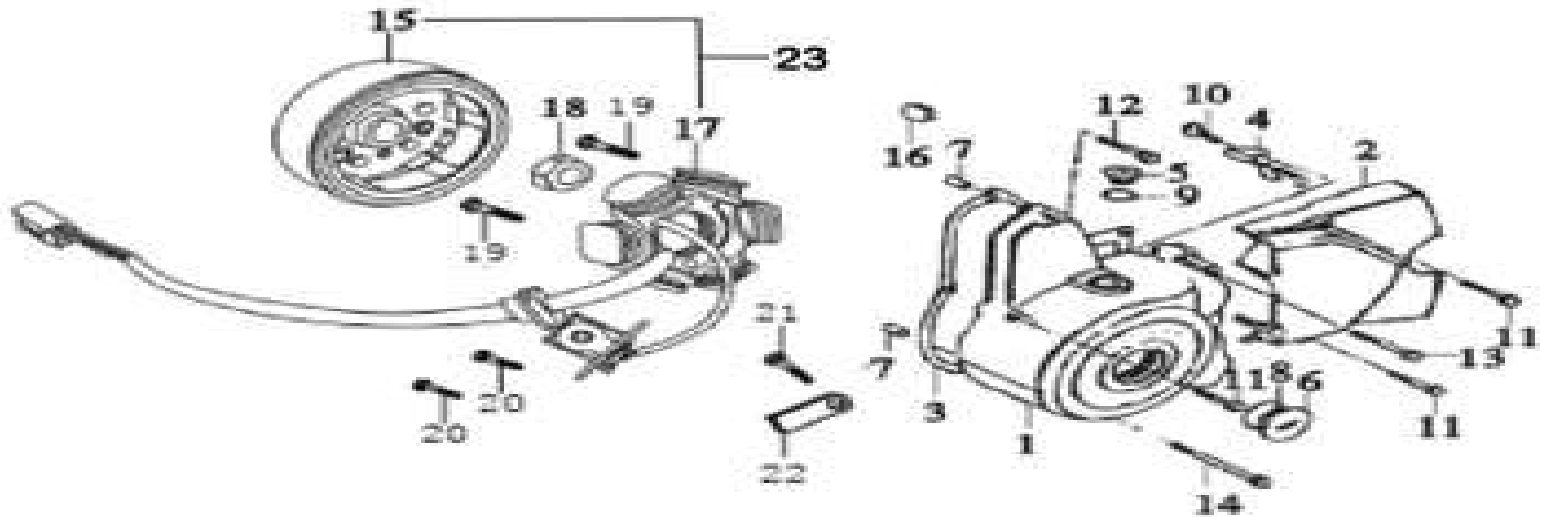


S/N	PART CODE	ENGLISH DESCRIPTION	QTY	UNITS	ORDER
E5-1	DYJ-114000-731000	FRONT L CRANK CASE COVER	1	PCS	
E5-2	DYJ-115000-848000	REAR L CRANK CASE COVER	1	PCS	
E5-3	DYJ-110004-026000	GASKET,L.CRANKCASE COVER	1	PCS	
E5-4	DYJ-182006-000000	CLAMPER, A.C GENERATOR CORD	1	PCS	
E5-5	DYJ-114002-015000	CAP,GENERATOR	1	PCS	
E5-6	DYJ-430005-003000	CAP,A	1	PCS	
E5-7	W100-110003-003010	PIN,DOWEL,8x12	2	PCS	
E5-8	GB/T-P3452A-27.410	O-RING,27.4x2.4	1	PCS	
E5-9	GB/T-P3452A-13.810	O-RING,13.8x2.5	1	PCS	
E5-10	GB/T-P1667A-061616	BOLT,FLANGE,M6x16	1	PCS	
E5-11	GB/T-P1667A-062816	BOLT,FLANGE,M6x28	3	PCS	
E5-12	GB/T-P1667A-063216	BOLT,FLANGE,M6x32	1	PCS	

E5-13	DYJ-P1667A-822000	BOLT,FLANGE,M6x50	1	PCS	
E5-14	GB/T-P1667A-067016	BOLT,FLANGE,M6x70	1	PCS	
E5-15		MAGNETO ROTOR PARTS	1	PCS	
E5-16	DYJ-810028-010000	RUBBER,NEUTRAL SWITCH CORD	1	PCS	

E-5

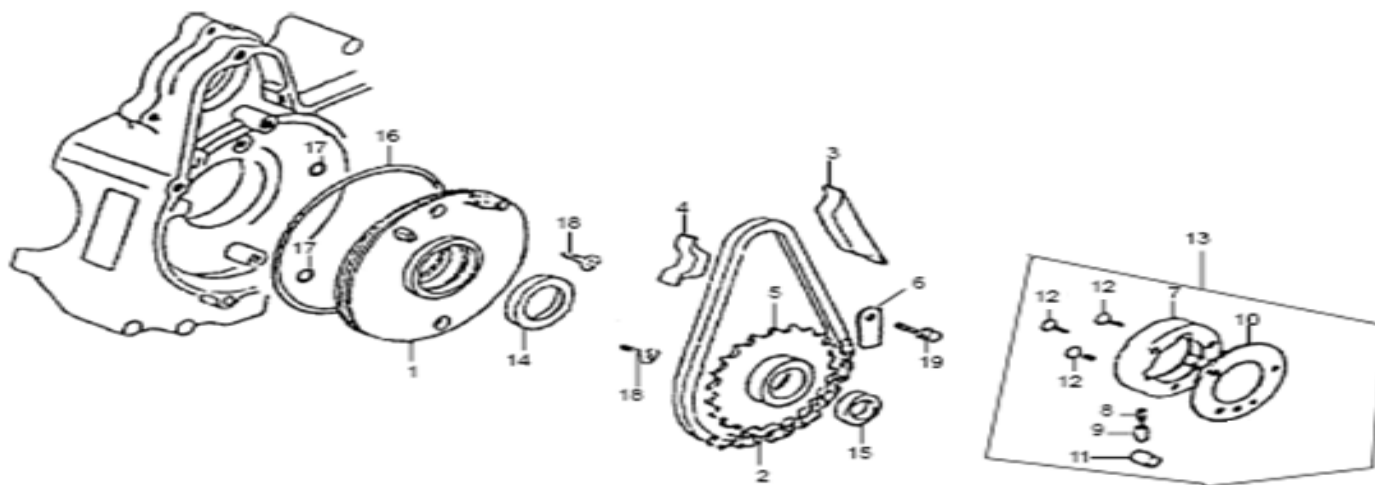
(GENERATOR/L, CRANKCASE COVER)



S/N	PART CODE	ENGLISH DESCRIPTION	QTY	UNITS	ORDER
E5-17		STATOR ASSY.(12V)	1	PCS	
E5-18	DYJ-A61871-2*R000	NUT,FLANGE,M10	1	PCS	
E5-19	GB/T-P1667A-062516	BOLT,FLANGE,M6x25	2	PCS	
E5-20	GB/T-P00818-051216	SCREW,PAN,M5x12	2	PCS	
E5-21	DYJ-P00818-084000	SCREW,PAN,M5x6	1	PCS	
E5-22	DYJ-182006-001000	CLAMPER CORD	1	PCS	
E5-23		GENERATOR COMP	1	PCS	

E-6

(STARTING MOTOR)

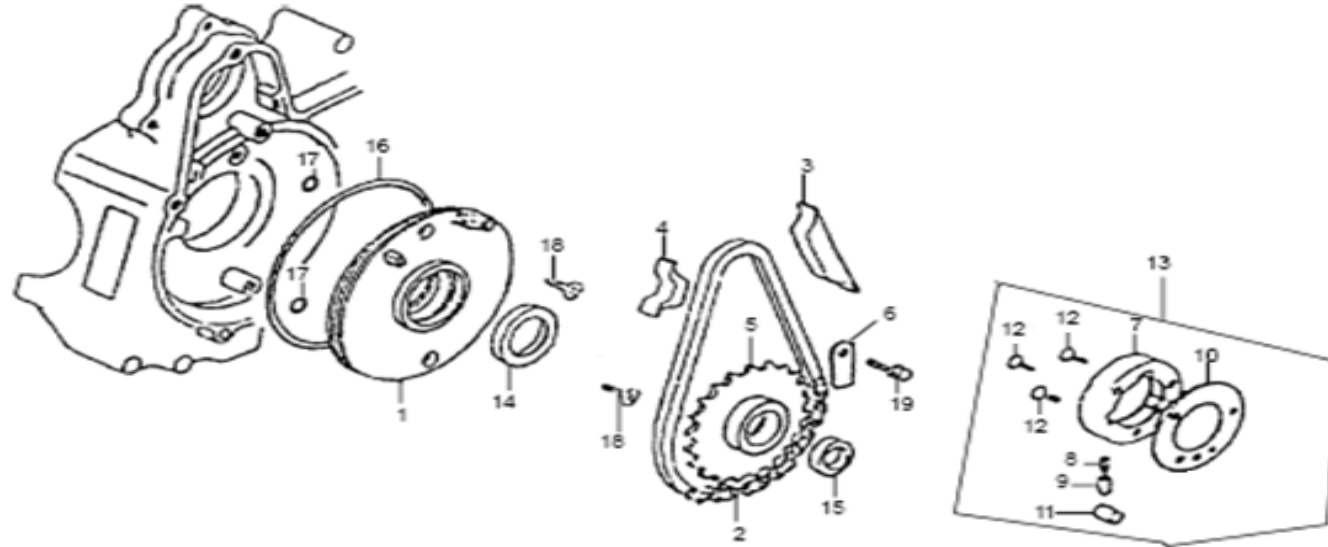


S/N	PART CODE	ENGLISH DESCRIPTION	QTY	UNITS	ORDER
E6-1	DYJ-114008-000000	PLATE,OIL SEPARATE	1	PCS	
E6-2	DYJ-173200-8DE000	CHAIN,STARTING	1	PCS	
E6-3	DYJ-173201-003000	GUIDE,STATER CHAIN	1	PCS	
E6-4	DYJ-140026-003000	PROTECTOR,STARTER CHAIN	1	PCS	
E6-5	DYJ-134017-000000	GEAR, START CLUTCH	1	PCS	
E6-6	DYJ-134018-000000	PLATE,STARTING SPROCKET SETTING	1	PCS	
E6-7	DYJ-112B02-000000	OUTER,STARTING CLUTCH	1	PCS	
E6-8	DYJ-842031-007000	SPRING,STARTING CLUTCH ROLLER	3	PCS	
E6-9	DYJ-112B10-000000	CAP,STARTING CLUTCH ROLLER SPRING	3	PCS	
E6-10	DYJ-112B11-000000	PLATE,STARTING CLUTCH SIDE	1	PCS	
E6-11	DYJ-112B12-000000	ROLLER,φ10×10	3	PCS	
E6-12	DYJ-841420-087000	SCREW,FLAT,M6x16	3	PCS	

E6-13	DYJ-112B07-007000	STARTING CLUTCH COMP.	1	PCS	
E6-14	DYJ-F01000-081000	PLATE OIL SEPARATOR OIL	1	PCS	
E6-15	DYJ-F01000-082000	START GEAR OIL SEAL18.9x30x5	1	PCS	
E6-16	GB/T-P3452A-107010	O-RING,107x2	1	PCS	

E-6

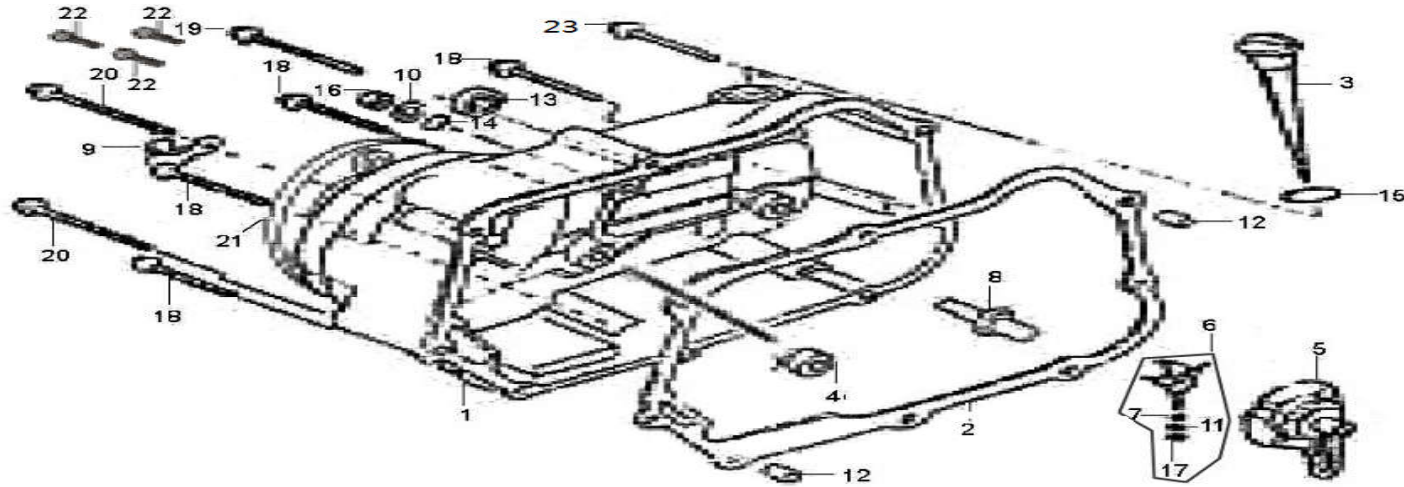
(STARTING MOTOR)



S/N	PART CODE	ENGLISH DESCRIPTION	QTY	UNITS	ORDER
E6-17	GB/T-P3452A-5.7110	O-RING,5.7x1.9	2	PCS	
E6-18	GB/T-P819.1-601610	SCREW,FLAT M6x16	2	PCS	
E6-19	GB/T-P1667A-601416	BOLT,FLANGE,M6x14	1	PCS	

E-7

(R. CRANKSHAFT COVER)

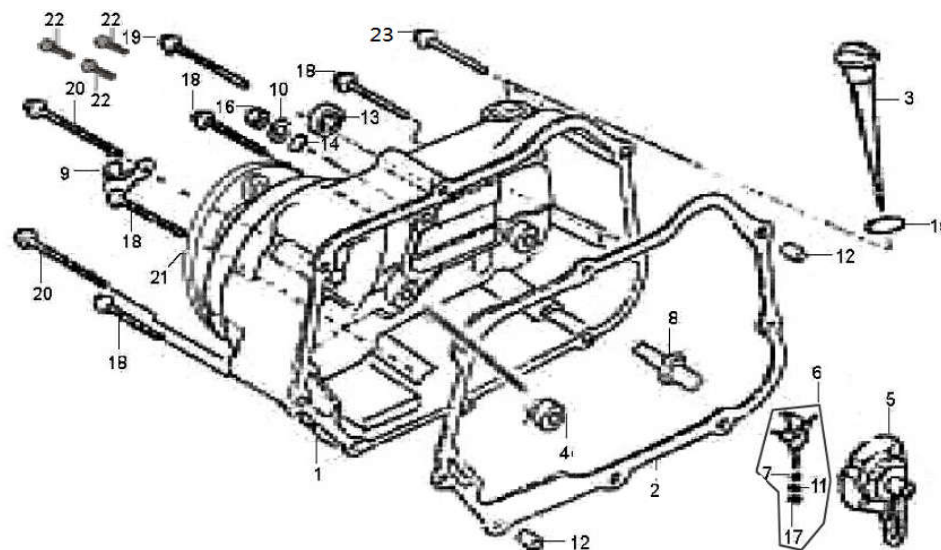


S/N	PART CODE	ENGLISH DESCRIPTION	QTY	UNITS	ORDER
E7-1	DYJ-113000-866000	COVER COMP,R.CRANKCASE	1	PCS	
E7-2	DYJ-110001-040000	GASKET,R.CRANKCASE COVER	1	PCS	
E7-3	DYJ-113001-027000	GAUGE,OIL LEVEL	1	PCS	
E7-4	DYJ-P00290-NK7000	NEEDLE BEARING, HK101410	1	PCS	
E7-5	DYJ-173006-006000	CLUTCH RELEASE	1	PCS	
E7-6	DYJ-173011-000000	CAMS CAGE ASSY	1	PCS	
E7-7		ROLLER,CLUTCH LIFTER	3	PCS	
E7-8	DYJ-110007-004000	BOLT,CLUTCH ADJUSTING	1	PCS	
E7-9	DYJ-880001-008000	CLIP,DYNAMO CORD	1	PCS	
E7-10	GB/T-P097.1-080017	WASHER.8MM	1	PCS	
E7-11	GB/T-P097.1-050017	WASHER.5MM	3	PCS	
E7-12	W100-110003-003010	PIN.DOWEL.8x12	2	PCS	

E7-13	DYJ-172011-029000	KICK SHAFT OIL SEAL 13.7x24x5	1	PCS	
E7-14	DYJ-810107-011000	O-RING,8x1.6	1	PCS	
E7-15	GB/T-P3452A-183.10	O-RING,18x3.5	1	PCS	
E7-16	GB/T-P06170-080016	NUT,HEX,M8	1	PCS	

E-7

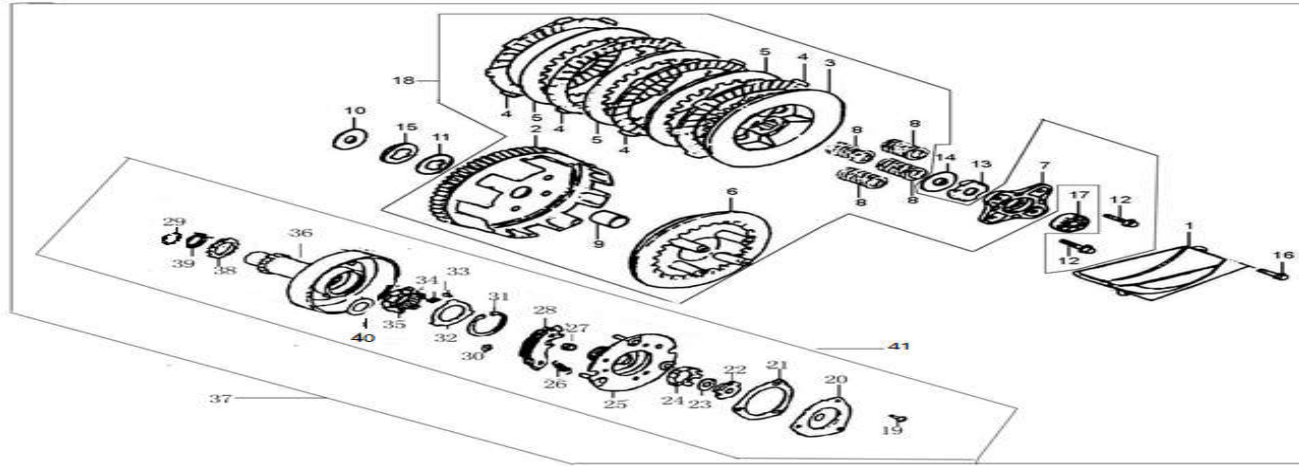
(R. CRANKSHAFT COVER)



S/N	PART CODE	ENGLISH DESCRIPTION	QTY	UNITS	ORDER
E7-17		CIRCLIP,INTERNAL,4MM	3	PCS	
E7-18	GB/T-P1667A-060410	BOLT,FLANGE,M6x40	5	PCS	
E7-19	GB/T-P1667A-060614	BOLT,FLANGE,M6x65	1	PCS	
E7-20	GB/T-P1667A-060810	BOLT,FLANGE,M6x80	2	PCS	
E7-21	DYJ-430006-014000	PROTECTOR COVER R CRANK CASE	1	PCS	
E7-22	GB/T-P1667A-061216	BOLT,FLANGE,M6x12	3	PCS	
E7-23	GB/T-P1667A-064516	BOLT,FLANGE,M6x45	1	PCS	

E-8

(CLUTCH ASSY)

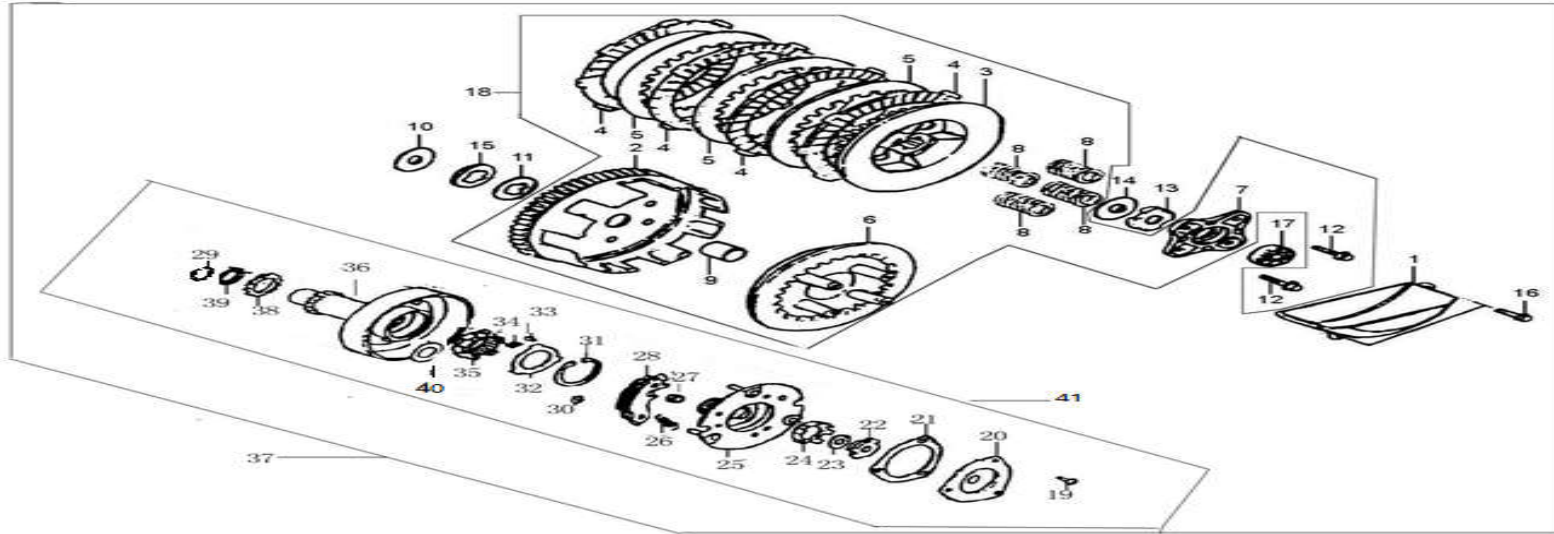


S/N	PART CODE	ENGLISH DESCRIPTION	QTY	UNITS	ORDER
E8-1	DYJ-111004-004000	PLATE,OIL SEPARATOR	1	PCS	
E8-2	DYJ-161037-067000	OUTER COMP,CLUTCH	1	PCS	
E8-3	DYJ-121009-000000	CENTER COMP,CLUTCH	1	PCS	
E8-4	DYJ-162008-000000	DISK,CLUTCH FRICTION	4	PCS	
E8-5	DYJ-160206-000000	PLATE,CLUTCH	3	PCS	
E8-6	DYJ-161800-008000	PLATE,CLUTCH PRESSURE	1	PCS	
E8-7	DYJ-162029-000000	PLATE,CLUTCH LIFTER	1	PCS	
E8-8	DYJ-112B13-000000	SPRING,CLUTCH	4	PCS	
E8-9	DYJ-172007-057000	COLLAR,CLUTCH CENTER21*17	1	PCS	
E8-10	DYJ-172007-058000	COLLAR,DISTANCE21.17.2	1	PCS	
E8-11	DYJ-110025-000000	SET RING	1	PCS	
E8-12	GB/T-P1667A-060229	BOLT,SPECEAL FLANGE,M6x22	4	PCS	

E8-13	GB/T-P00810-140010	NUT,LOCK,M14	1	PCS	
E8-14	W100-134005-000000	DISH WASHER ϕ 14	1	PCS	
E8-15	DYJ-161001-065000	WASHER B,SPLINE	1	PCS	
E8-16	GB/T-P05783-062016	BOLT,HEX,M6x20	2	PCS	

E-8

(CLUTCH ASSY)

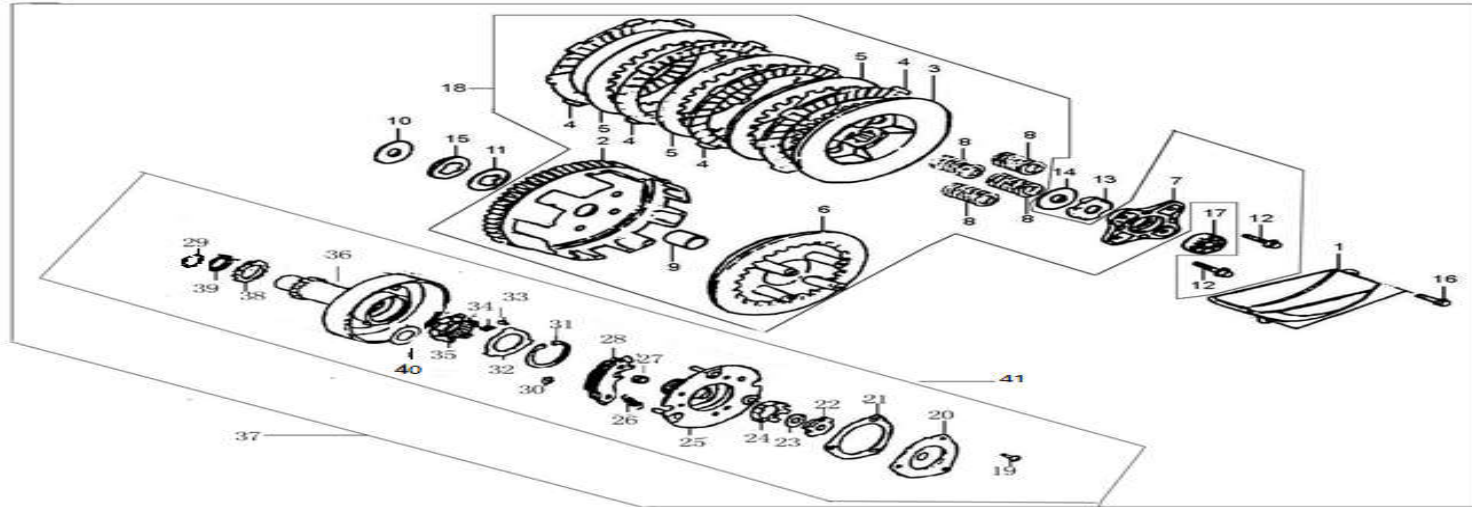


S/N	PART CODE	ENGLISH DESCRIPTION	QTY	UNITS	ORDER
E8-17	DYJ-P00276-NT7000	BALL BEARING,6000	1	PCS	
E8-18	DYJ-161032-000000	CLUTCH	1	PCS	
E8-19	DYJ-P00818-084000	SCREW,PAN,M5x6	3	PCS	
E8-20	DYJ-160101-000000	COVER,OIL FILTER	1	PCS	
E8-21	DYJ-113003-008000	GASKET,OIL FILTER	1	PCS	
E8-22	DYJ-P00810-162008	NUT B,LOCK,M14x1	1	PCS	
E8-23	W100-134005-000000	DISH WASHER ϕ 14	1	PCS	
E8-24		LOCK WASHER,	1	PCS	
E8-25		PLATE COMP,PRIMARY DRIVE	1	PCS	
E8-26		SPRING,PRIMARY CLUTCH	3	PCS	
E8-27		RUBBER,CLUTCH DAMPER	3	PCS	
E8-28		WEIGHT,PRIMARY CLUTCH	3	PCS	

E8-29		CIRCLIP,INTERNAL,	1	PCS	
E8-30		CIRCLIP,INTERNAL,7MM	3	PCS	
E8-31		CIRCLIP,INTERNAL,45MM	1	PCS	
E8-32		WASHER,30MM	1	PCS	

E-8

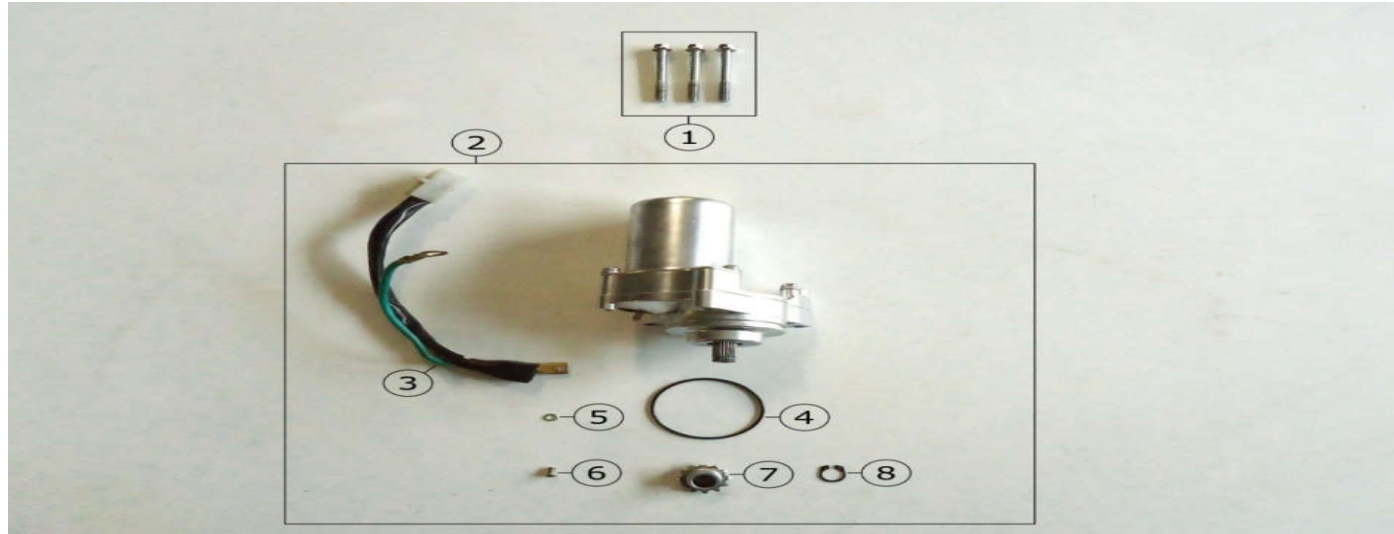
(CLUTCH ASSY)



S/N	PART CODE	ENGLISH DESCRIPTION	QTY	UNITS	ORDER
E8-33		ROLLER,5x8	6	PCS	
E8-34		SPRING,ONE WAY RETAINER	6	PCS	
E8-35		HOLDER,ROLLER	1	PCS	
E8-36	DYJ-160102-000000	OUTER ASSY,PRIMARY CLUTCH	1	PCS	
E8-37	DYJ-160110-142000	CLUTCH ASSY	1	PCS	
E8-38		SUB GEAR	1	PCS	
E8-39		SPRING,SUB GEAR	1	PCS	
E8-40		WASHER,17MM	1	PCS	
E8-41	DYJ-160100-021000	ONEWAY CLUTCH	1	PCS	

E-9

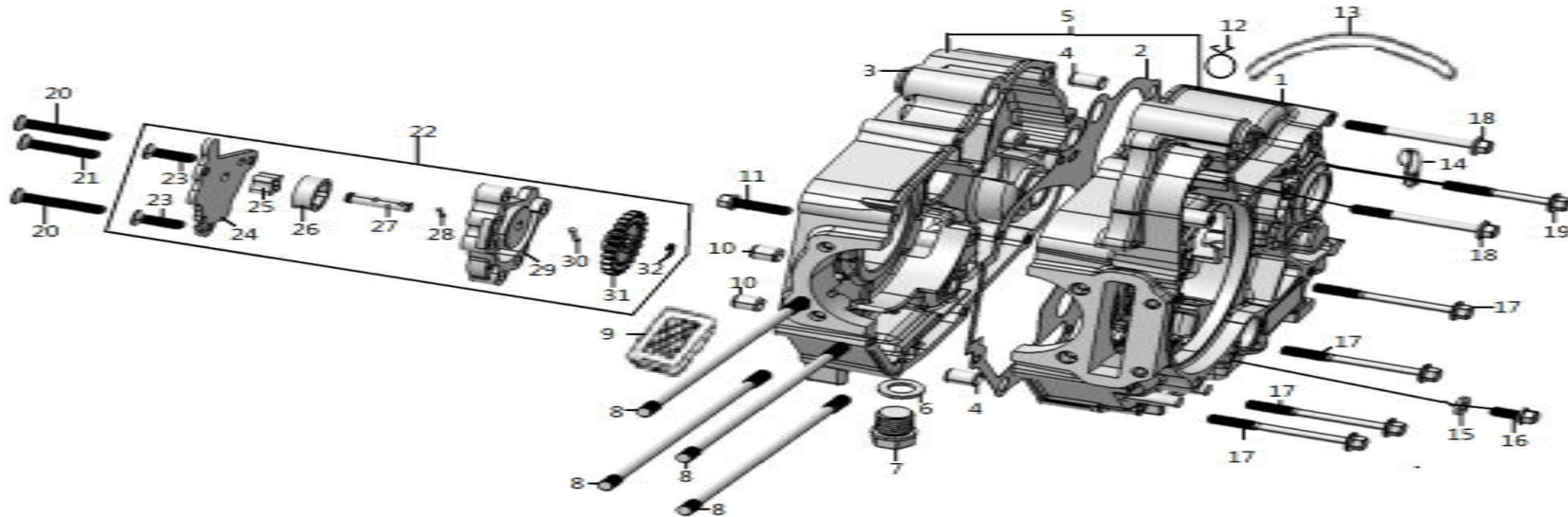
(STARTING MOTOR)



S/N	PART CODE	ENGLISH DESCRIPTION	QTY	UNITS	ORDER
E9-1	DYJ-P1667A-822000	BOLT,FLANGE,M6x50	3	PCS	
E9-2	DYJ-174000-154000	MOTOR ASSY,STARTER	1	PCS	
E9-3		SUB HARNESS,STARTING MOTOR	1	PCS	
E9-4		O-RING A	1	PCS	
E9-5		WASHER,SPRING,4MM	1	PCS	
E9-6		SCREW,PAN,M4x6	1	PCS	
E9-7		GEAR COMP,DRIVEN,STARTING MOTOR	1	PCS	
E9-8		CIRCLIP,EXTERNAL,11MM	1	PCS	

E-10

(CRANKCASE/OIL PUMP)

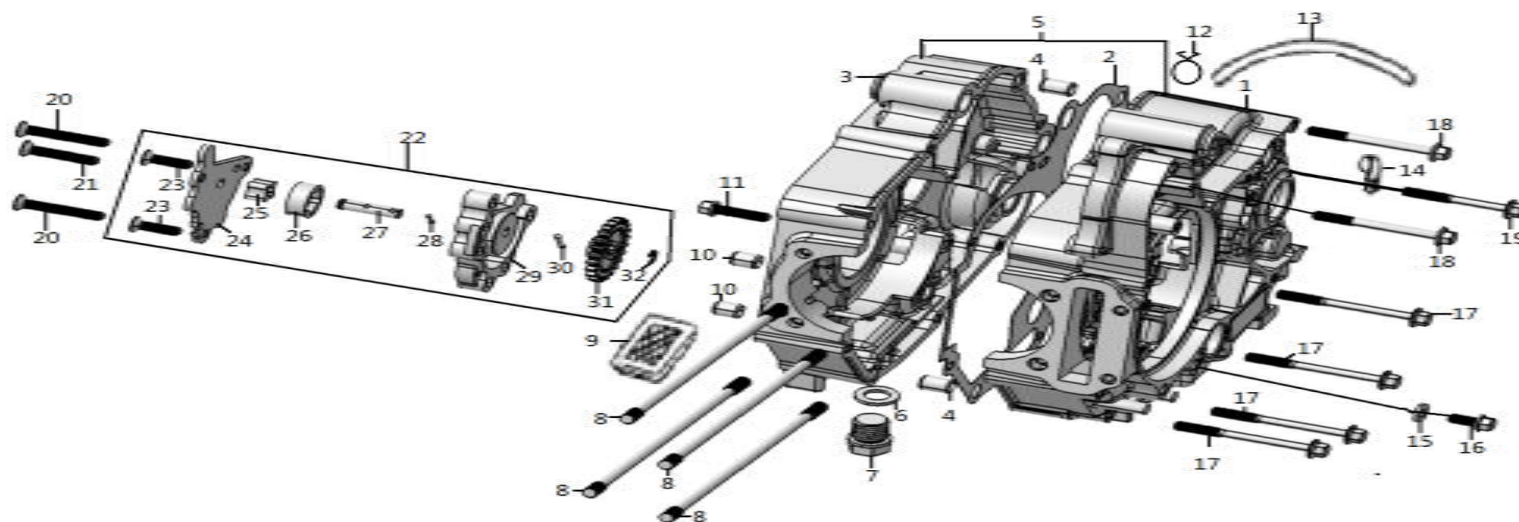


S/N	PART CODE	ENGLISH DESCRIPTION	QTY	UNITS	ORDER
E10-1	DYJ-111000-245000	CRANKCASE COMP,L.	1	PCS	
E10-2	DYJ-110002-035000	GASKET,CRANKCASE	1	PCS	
E10-3	DYJ-112000-238000	CRANKCASE COMP,R.	1	PCS	
E10-4	W100-110003-001010	PIN,DOWEL,10x14	2	PCS	
E10-5	DYJ-111010-000000	MAIN COMP CRANKCASE ASSY	1	PCS	
E10-6	GB/T-P097.1-120017	WASHER,DRAIN PLUG 12	1	PCS	
E10-7	DYJ-130003-005000	BOLT,DRAIN PLUG,M12x1.5	1	PCS	
E10-8	DYJ-112003-035000	BOLT A,CYLINDER STUD	4	PCS	
E10-9	DYJ-111003-009000	SCREEN,OIL FILTER	1	PCS	
E10-10	W100-110003-003010	DOWEL PIN 8X12	2	PCS	
E10-11	GB/T-P1667A-062516	BOLT,FLANGE,M6x25	1	PCS	
E10-12		CLIP, TUBE BREATHER		PCS	

E10-13		TUBE,BREATHER	1	PCS	
E10-14		CLAMPER,OVER FLOW PIPE	1	PCS	
E10-15	GB/T-P097.1-060017	WASHER 6MM	1	PCS	
E10-16	GB/T-P1667A-601416	BOLT,FLANGE,M6x14	1	PCS	

E-10

(CRANKCASE/OIL PUMP)

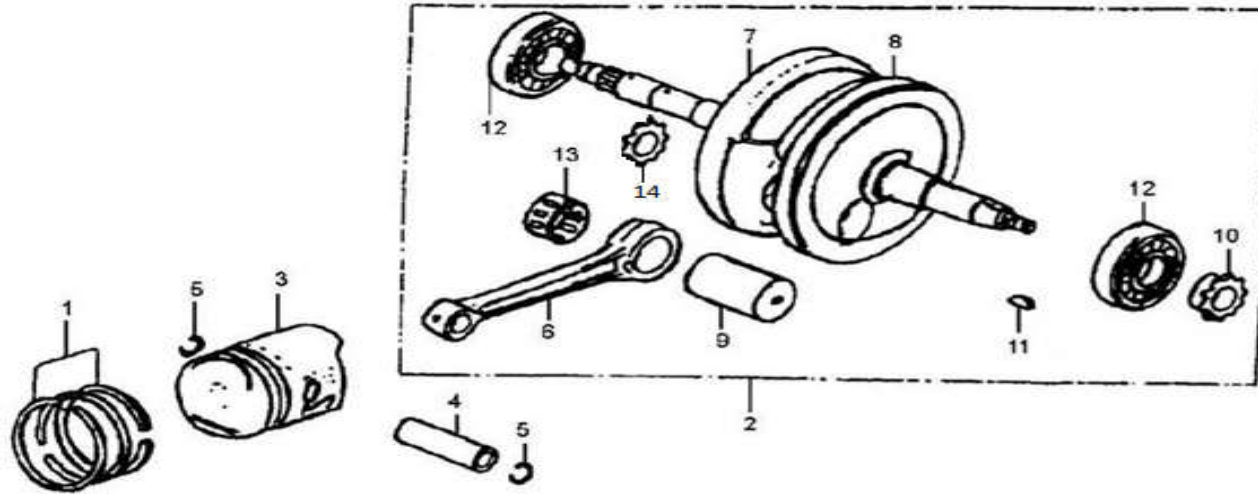


S/N	PART CODE	ENGLISH DESCRIPTION	QTY	UNITS	ORDER
E10-17	GB/T-P1667A-060614	BOLT,FLANGE,M6x65	4	PCS	
E10-18	GB/T-P1667A-060609	BOLT,FLANGE,M6x60	2	PCS	
E10-19	DYJ-P1667A-822000	BOLT,FLANGE,M6x50	1	PCS	
E10-20	DYJ-P819.1-606007	SCREW,FLAT M6x35	2	PCS	
E10-21	GB/T-P819.1-060310	SCREW,FLAT M6x30	1	PCS	
E10-22	DYJ-151000-040000	PUMP ASSY,OIL	1	PCS	
E10-23		SCREW,FLAT M5x10	2	PCS	
E10-24		COVER,OIL PUMP	1	PCS	
E10-25		ROTOR,OIL PUMP INNER	1	PCS	
E10-26		ROTOR,OIL PUMP OUTER	1	PCS	
E10-27		DRIVESHAFT,OIL PUMP	1	PCS	
E10-28		PIN,GEARSHIFT DRUM 2.5x10	1	PCS	

E10-29		BODY,OIL PUMP	1	PCS	
E10-30		PIN DOWEL 3x16	1	PCS	
E10-31		GEAR,OIL PUMP	1	PCS	
E10-32		CIRCLIP,INTERNAL,5MM	1	PCS	

E-11

(PISTON/CRANKSHAFT)

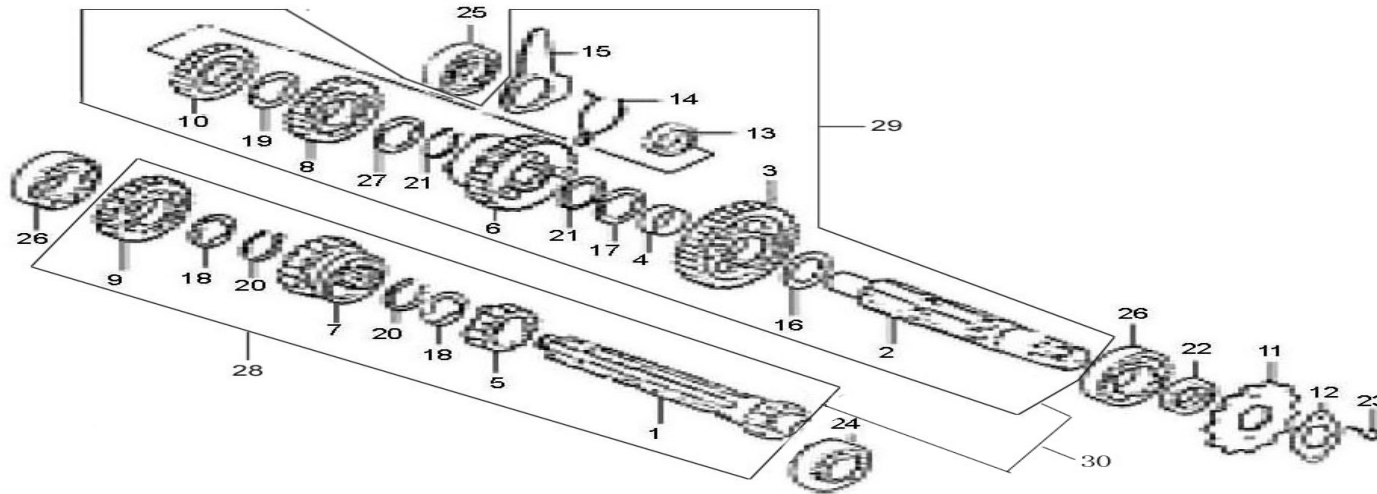


S/N	PART CODE	ENGLISH DESCRIPTION	QTY	UNITS	ORDER
E11-1	DYJ-133010-002000	RING SET,PISTON	1	PCS	
E11-2	DYJ-131000-243000	CRANSHAFT COMP	1	PCS	
E11-3	DYJ-132000-142000	PISTON	1	PCS	
E11-4	DYJ-130001-045000	PIN,PISTON	1	PCS	
E11-5	DYJ-P895.2-045000	CLIP,PISTON PIN	2	PCS	
E11-6		ROD,CONNECTING	1	PCS	
E11-7		CRANKSHAFT,R.	1	PCS	
E11-8		CRANKSHAFT,L.	1	PCS	
E11-9		PIN,CRANK	1	PCS	
E11-10	DYJ-131005-006000	SPROCKET,TIMING	1	PCS	
E11-11		KEY,WOODRUFF	1	PCS	
E11-12	DYJ-P00276-NTJ000	BALL BEARING,63/22	2	PCS	

E11-13		NEEDLE BEARING,CONNECTING ROD	1	PCS	
E11-14		SPROCKET,OIL PUMP	1	PCS	

E-12

(MAINSHAFT/COUNTERSHAFT)

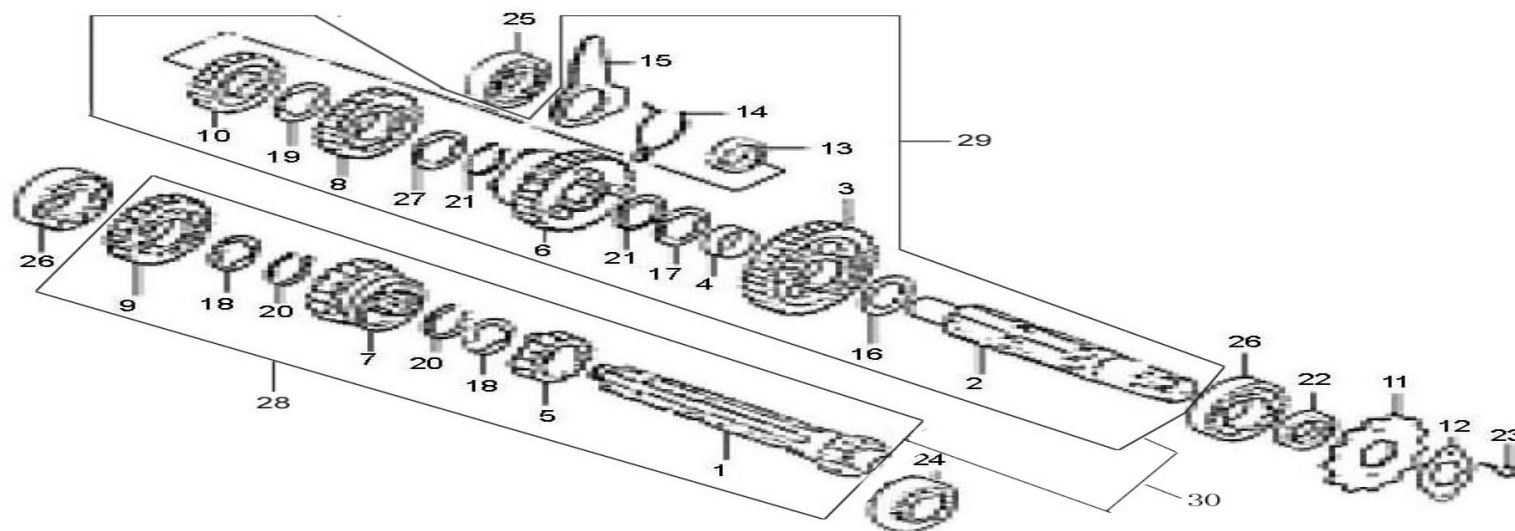


S/N	PART CODE	ENGLISH DESCRIPTION	QTY	UNITS	ORDER
E12-1	DYJ-162101-018000	MAINSHAFT,TRANSMISSION	1	PCS	
E12-2	DYJ-162215-019000	COUNTERSHAFT	1	PCS	
E12-3	DYJ-162205-005000	GEAR,COUNTERSHAFT LOW	1	PCS	
E12-4	DYJ-172007-059000	BUSH,20x9	1	PCS	
E12-5	DYJ-162102-005000	GEAR,MAINSHAFT SECOND	1	PCS	
E12-6	DYJ-162206-016000	GEAR,COUNTERSHAFT SECOND	1	PCS	
E12-7	DYJ-162103-005000	GEAR,MAINSHAFT THIRD	1	PCS	
E12-8	DYJ-162207-004000	GEAR,COUNTERSHAFT THIRD	1	PCS	
E12-9	DYJ-162105-015000	GEAR,MAINSHAFT FOURTH	1	PCS	
E12-10	DYJ-160004-015000	GEAR,COUNTERSHAFT FOURTH	1	PCS	
E12-11	DYJ-162001-039000	SPROCKET,DRIVE(428-14T)	1	PCS	
E12-12	DYJ-814403-045000	PLATE,FIXING,DRIVE SPROCKET	1	PCS	

E12-13	GB/T-P097.1-120017	WASHER 12MM	1	PCS	
E12-14	DYJ-820000-001006	SPRING	1	PCS	
E12-15	DYJ-163012-001000	PLATE,GEARSHIFT DRUM LOCK	1	PCS	
E12-16	GB/T-P894.1-017018	WASHER,17MM	1	PCS	

E-12

(MAINSHAFT/COUNTERSHAFT)

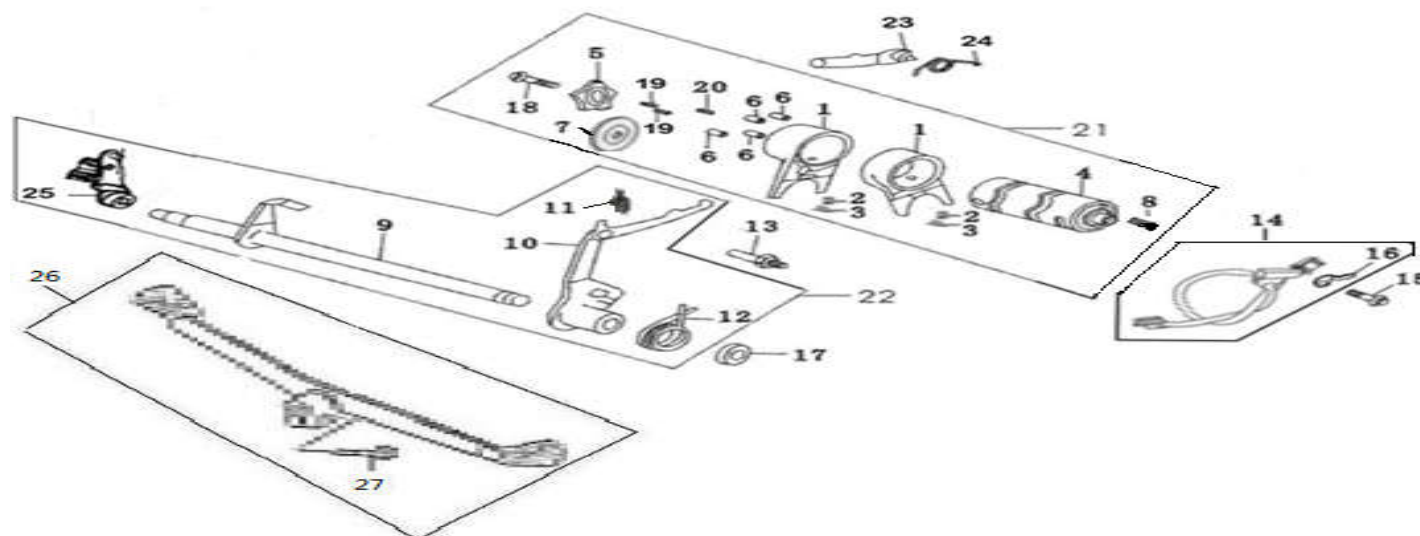


S/N	PART CODE	ENGLISH DESCRIPTION	QTY	UNITS	ORDER
E12-17	DYJ-161001-066000	WASHER,SPLINE,20MM	1	PCS	
E12-18	DYJ-161001-063000	WASHER,SPLINE,17MM	2	PCS	
E12-19	DYJ-161001-063000	WASHER,SPLINE,17MM	1	PCS	
E12-20	GB/T-P894.1-017018	CIRCLIP,EXTERNAL,17MM	2	PCS	
E12-21	GB/T-P894.1-000210	CIRCLIP,EXTERNAL,20MM	2	PCS	
E12-22	DYJ-162202-015000	DRIVE SHAFT OIL SEAL 17x29x5	1	PCS	
E12-23	GB/T-P05783-060816	BOLT HEX,M6*8	2	PCS	
E12-24	GB/T-P00276-600110	BALL BEARING,6001	1	PCS	
E12-25	GB/T-P00276-620110	BALL BEARING,6201	1	PCS	
E12-26	GB/T-P00276-620310	BALL BEARING,6203	2	PCS	
E12-27	DYJ-161001-063000	WASHER,SPLINE,17MM	1	PCS	
E12-28	DYJ-162100-022000	MAINSHAFT COMP	1	PCS	

E12-29	DYJ-162200-020000	COUNTERSHAFT COMP	1	PCS	
E12-30	DYJ-162000-097000	MAINSHAFT&COUNTERSHAFT COMP	1	PCS	

E-13

(GEARSHIFT DRUM)

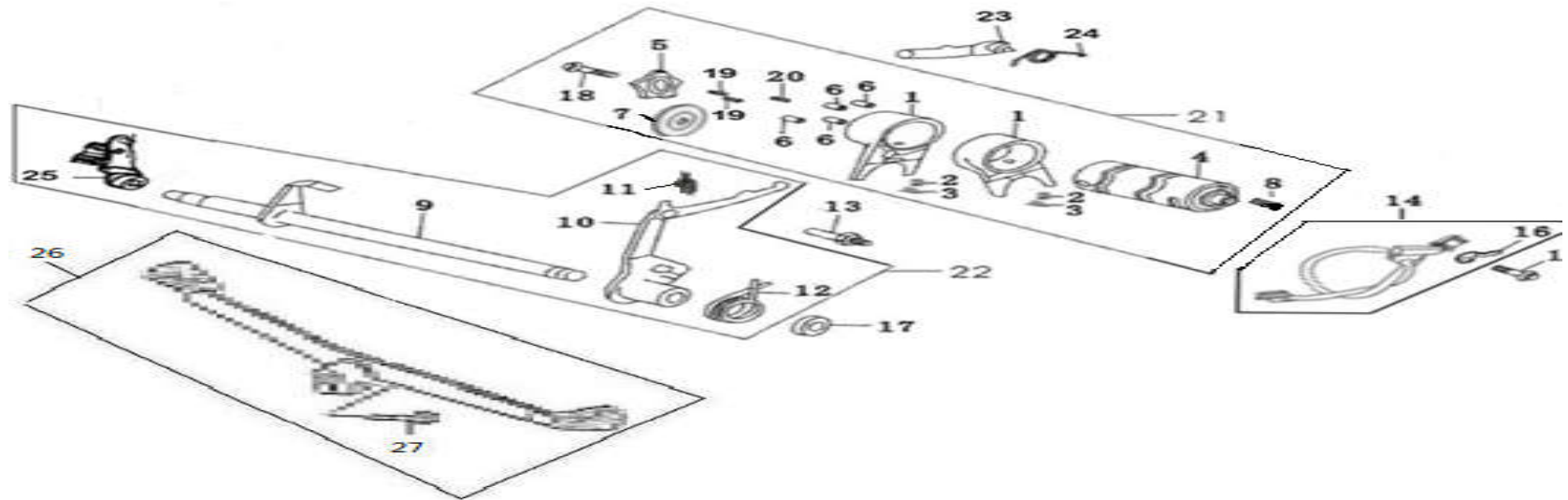


S/N	PART CODE	ENGLISH DESCRIPTION	QTY	UNITS	ORDER
E13-1		FORK,GEARSHIFT	2	PCS	
E13-2		PIN,GEARSHIFT FORK GUIDE	2	PCS	
E13-3		CLIP,GEARSHIFT FORK GUIDE PIN	2	PCS	
E13-4		DRUM,GEARSHIFT	1	PCS	
E13-5	DYJ-163005-018000	PLATE,GEARSHIFT DRUM STOPPER	1	PCS	
E13-6		PIN,GEARSHIFT DRUM 4x13	4	PCS	
E13-7	DYJ-163208-002000	WASHER, ϕ 41x0.8	1	PCS	
E13-8		CONTACTOR,GEAR INDICATOR	1	PCS	
E13-9		SPINDLE COMP,GEARSHIFT	1	PCS	
E13-10		ARM COMP,GEARSHIFT	1	PCS	
E13-11		SPRING,GEARSHIFT ARM	1	PCS	
E13-12		SPRING,GEARSHIFT RETURN	1	PCS	

E13-13		PIN,SHIFT RETURN SPRING	1	PCS	
E13-14	DYJ-111111-000000	INDICATOR ASSY,GEAR(INCL.16)	1	PCS	
E13-15		BOLT,FLANGE,M6x14	1	PCS	
E13-16	DYJ-163605-000000	PLATE,GEAR INDICATOR	1	PCS	

E-13

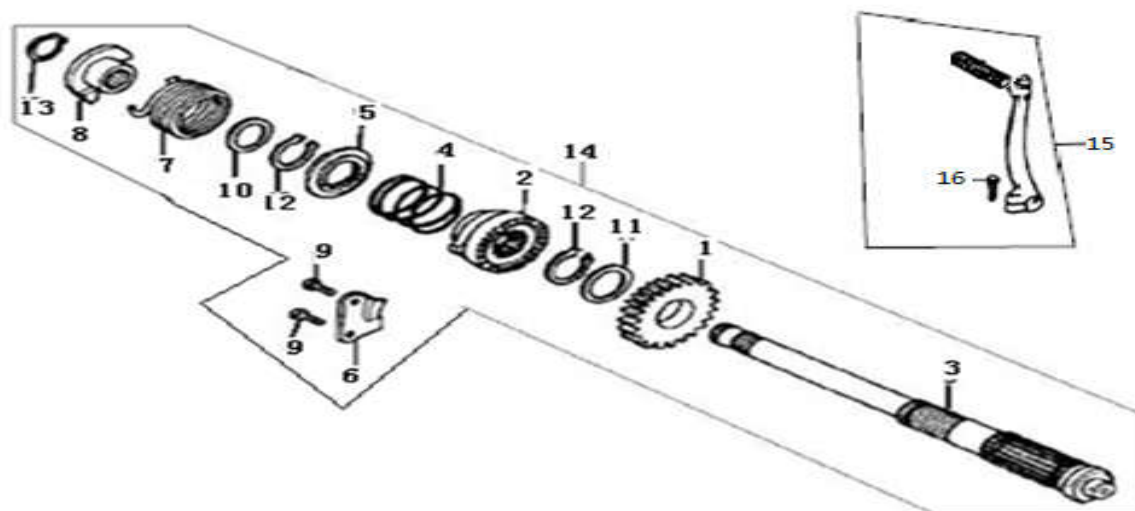
(GEARSHIFT DRUM)



S/N	PART CODE	ENGLISH DESCRIPTION	QTY	UNITS	ORDER
E13-17	DYJ-F01000-062000	SHIFT SHAFT OIL SEAL11.6X24X10	1	PCS	
E13-18		BOLT,FLANGE,M6x16	1	PCS	
E13-19		ROLLER,Φ3x10	2	PCS	
E13-20		ROLLER,Φ4x8.5	1	PCS	
E13-21	DYJ-163201-005000	DRUM ASSY. GEARSHIFT	1	PCS	
E13-22	DYJ-163309-001000	PEDAL ASSY, GEARSHIFT	1	PCS	
E13-23	DYJ-140900-002000	GEAR SHIFT CAM STOPER	1	PCS	
E13-24		SPRING GEARSHIFT DRUM STOPPER	1	PCS	
E13-25		LEVER COMP,CLUTCH	1	PCS	
E13-26	DYJ-163100-8H0000	PEDAL,GEAR CHANGE	1	PCS	
E13-27		BOLT,HEX,M6x20	1	PCS	

E-14

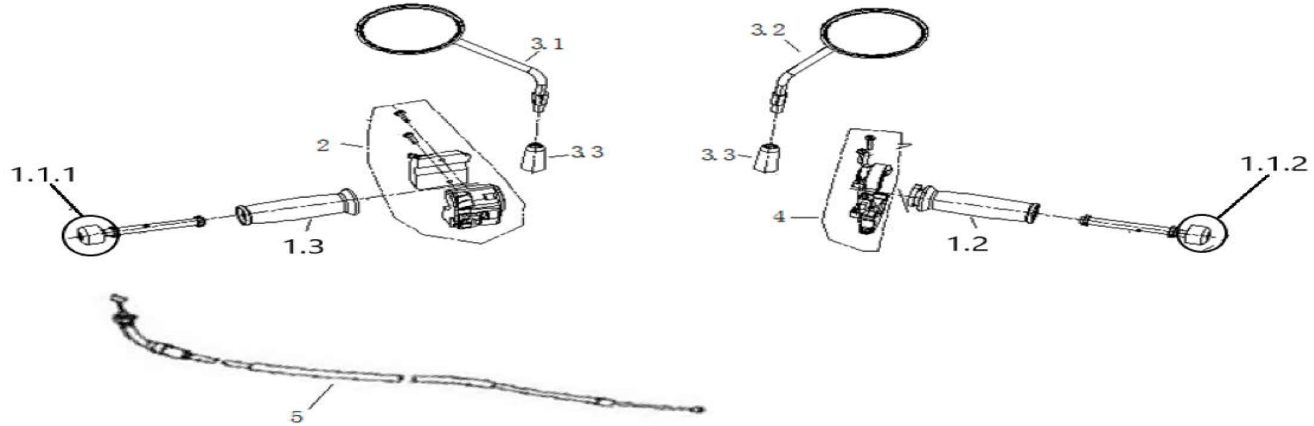
(KICK STARTER)



S/N	PART CODE	ENGLISH DESCRIPTION	QTY	UNITS	ORDER
E14-1	DYJ-162112-004000	PINION,KICK STARTER	1	PCS	
E14-2	DYJ-174004-002000	RATCHET,STARTER DRIVE	1	PCS	
E14-3	DYJ-172001-016000	SPINDLE,KICK STARTER	1	PCS	
E14-4	DYJ-820000-001001	SPRING,STARTER PINION FRICTION	1	PCS	
E14-5	DYJ-172020-001000	RETAINER,RATCHET SPRING	1	PCS	
E14-6	DYJ-172003-001000	PLATE,GUIDE,RATCHET	1	PCS	
E14-7	DYJ-174005-001000	SPRING,KICK STARTER	1	PCS	
E14-8	DYJ-172021-001000	RETAINER,KICK SPRING	1	PCS	
E14-9	GB/T-P05783-062016	BOLT,HEX,M6x20	2	PCS	
E14-10	GB/T-P894.1-017018	WASHER,17MM	1	PCS	

E14-11	GB/T-P894.1-000210	WASHER,20MM	1	PCS	
E14-12	GB/T-P894.1-000210	CIRCLIP,EXTERNAL,20MM	2	PCS	
E14-13	DYJ-A00896-123000	CIRCLIP,EXTERNAL,15.5MM	1	PCS	
E14-14	DYJ-172001-015000	KICK SHAFT ASSY	1	PCS	
E14-15	DYJ-171000-F2D000	ARM ASSY,KICK STARTER	1	PCS	
E14-16		BOLT,HEX,M6x22	1	PCS	

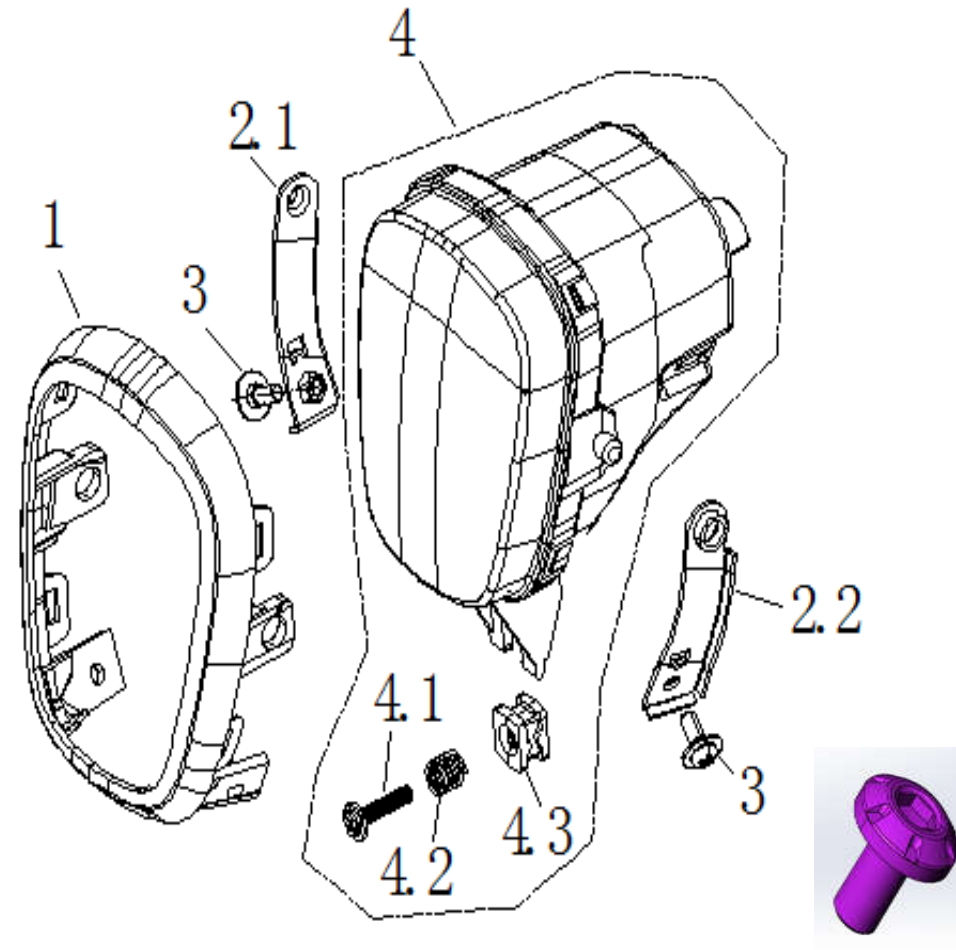
HANDLE BAR, SWITCH HOUSE, CABLE



NO.	PARTS CODE	ENGLISH DESCRIPTION	QTY	UNITS	ORDER
1.1.1	DYJ-439306-675000	WIEGHT HANDLE BALANCE LH	1	PCS	
1.1.2	DYJ-439307-675000	WIEGHT HANDLE BALANCE RH	1	PCS	
1.2	DYJ-814200-675000	GRIP SET,HANDLE, RH	1	PCS	
1.3	DYJ-814100-374000	GREASER COMP. LG	1	PCS	
2	DYJ-266100-CDF000	SWITCH ASSY LH.	1	PCS	
2.1	DYJ-P00818-069009	Pan head screws with cross recess, M5×22	1	PCS	
2.2	GB/T-P00818-052016	Pan head screws with cross recess, M5×20	1	PCS	
3.1	DYJ-871000-043000-71500000	Rear view mirror, LH	1	PCS	
3.2	DYJ-872000-043000-71500000	Rear view mirror, RH	1	PCS	
3.3	DYJ-870014-001000	Rear view mirror rubber cap	2	PCS	
4	DYJ-266200-A7E000	Switch assy RH.	1	PCS	
4.1	GB/T-P00818-052516	Pan head screws with cross recess,	1	PCS	

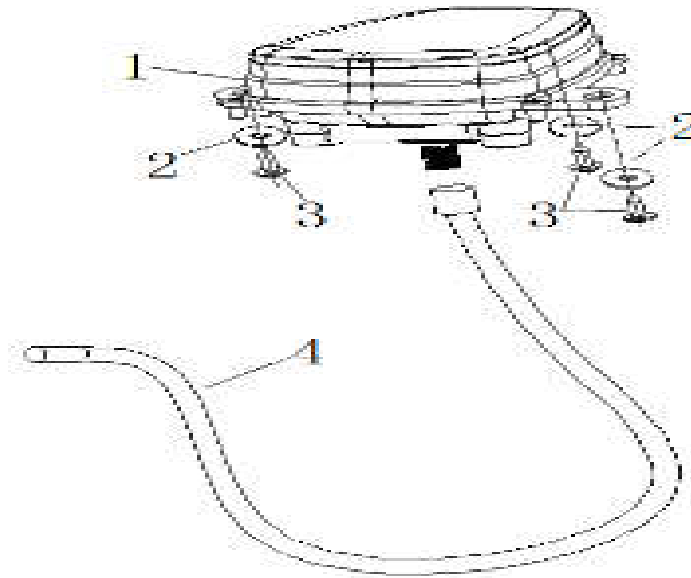
5	DYJ-714000-B7R000	Accelerator cable	1	PCS	
6	DYJ-713000-BFY000	Throttle cable	1	PCS	

HEADLIGHT



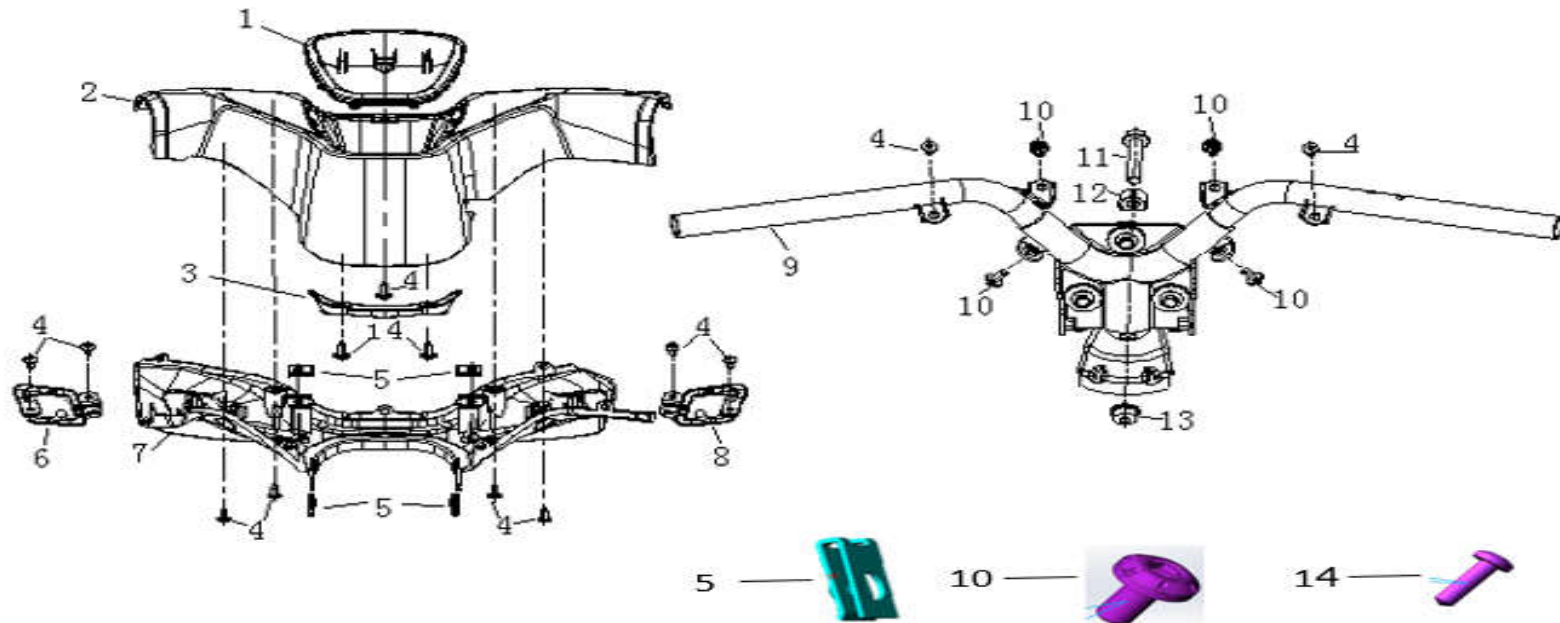
NO.	PARTS CODE	ENGLISH DESCRIPTION	QTY	UNITS	ORDER
1	DYJ-211011-043000	CASE,HEAD LIGHT,NO COLOR	1	PCS	
1	DYJ-211011-044001-62400000	CASE,HEAD LIGHT,BLK	1	PCS	
2	DYJ-363100-F0Y002	Headligh Bracket	1	PCS	
2.1	DYJ-363102-002002	Headligh Bracket, LH	1	PCS	
2.2	DYJ-363101-002002	Headligh Bracket, RH	1	PCS	
3	DYJ-841422-009000	Hexagon socket big head cap	2	PCS	
4	DYJ-211000-DCT000	Headlight	1	PCS	
4.1	DYJ-P00818-090000	Headlight adjust bolt		PCS	
4.2	DYJ-820000-005000	Headlight adjust pressure spring	1	PCS	
4.3	DYJ-A61871-2*J000	Headlight adjust nut	1	PCS	

SPEED METER



NO.	PARTS CODE	ENGLISH DESCRIPTION	QTY	UNITS	ORDER
1	DYJ-220000-F3P000	Meter assy	1	PCS	
2	GB/T-P096.1-050016	Washr 96.1 ϕ 5	3	PCS	
3	GB/T-P00845-481616	Cross recessed pan head tapping screws	3	PCS	
4	DYJ-718000-FCJ000	Speed sensor	1	PCS	

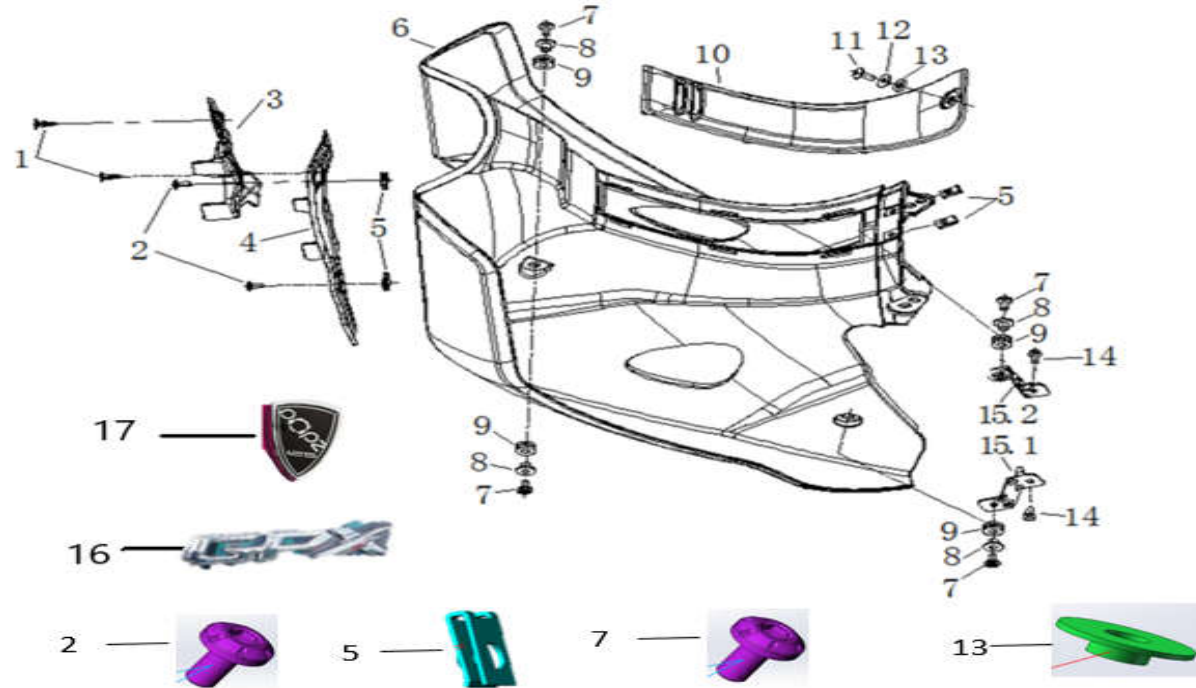
HANDLE BAR



NO.	PARTS CODE	ENGLISH DESCRIPTION	QTY	UNITS	ORDER
1	DYJ-220005-001001-45300000	Cover Meter BLUE	1	PCS	
1	DYJ-220005-001001-14900000	Cover Meter PINK	1	PCS	
1	DYJ-220005-001001-23200000	Cover Meter ORANGE	1	PCS	
1	DYJ-220005-001001-71500000	Cover Meter Chrome	1	PCS	
1	DYJ-43A015-001000	Cover Meter NO COLOR	1	PCS	
2	DYJ-43A016-001001	Handle bar cover, upper NO COLOR	1	PCS	

2	DYJ-43A016-001001-62400000	Handle bar cover, upper with black	1	PCS	
2	DYJ-43A016-001001-14700000	Handle bar cover, upper with painting red	1	PCS	
3	DYJ-43A017-00000H	Handle bar cover, upper inner NO COLOR	1	PCS	
3	DYJ-43A017-001001-62400000	Handle bar cover, upper inner, BLK	1	PCS	
4	DYJ-C00845-421000	Cross recessed pan head tapping screws	11	PCS	
5	DYJ-842010-863000	Clip nut M5×19	2	PCS	
6	DYJ-213100-880000	Fr. Turning light LH.	1	PCS	
7	DYJ-43A018-00000H	Handle bar cover, lower black,PP+textur	1	PCS	
8	DYJ-213200-FCG000	Fr. Turning light RH.	1	PCS	
9	DYJ-325000-F2C002	Handle bar	1	PCS	
10	DYJ-841422-009000	Hexagon socket big head cap	4	PCS	
11	DYJ-P1667B-137000	Hexagonal flange bolt GB/T 16674.1	1	PCS	
12	DYJ-843008-011000	Handle pole bush	1	PCS	
13	DYJ-P6187B-165000	All-metal hexagonal flange locking nut	1	PCS	
14	GB/T-B00845-350139	Cross recessed pan head tapping screws	2	PCS	

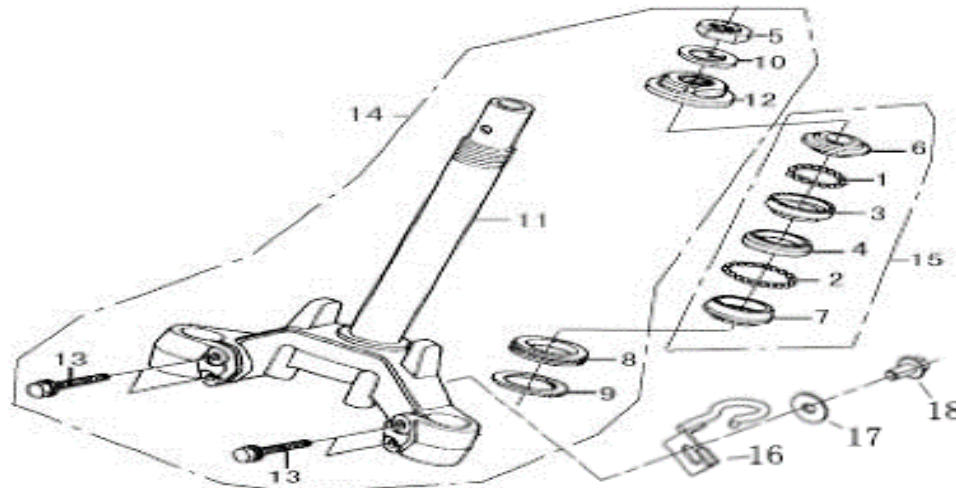
FRONT WIND SHIELD



NO.	PARTS CODE	ENGLISH DESCRIPTION	QTY	UNITS	ORDER
1	DYJ-841B00-000000	Plastic expansion screw	2	PCS	
2	DYJ-841422-009000	Hexagon socket big head cap	2	PCS	
3	DYJ-430929-00000H	Front wind shield decoration cover RH	1	PCS	
4	DYJ-430919-00000H	Front wind shield decoration cover LH	1	PCS	
5	DYJ-842010-863000	Clip nut M5×19	4	PCS	

6	DYJ-430900-051001-818H2000	Front windshield with painting white	1	PCS	
6	DYJ-430900-051001-624H2000	Front windshield with painting black	1	PCS	
6	DYJ-430900-051001-453HE000	Front windshield with painting blue	1	PCS	
6	DYJ-430900-051001-149HF000	Front windshield with painting Pink	1	PCS	
6	DYJ-430900-051001-232HG000	Front windshield with painting Orange	1	PCS	
6	DYJ-4P0900-001000	Front windshield NO COLOR	1	PCS	
7	DYJ-841422-006000	Hexagon socket big head cap	4	PCS	
8	DYJ-843210-010000	Bush $\Phi 6.5 \times 14 / \Phi 18 \times 2 + \Phi 9 \times 12$	4	PCS	
9	DYJ-810103-071000	H rubber $\Phi 9 \times 9 / \Phi 12 \times 3/2 - \Phi 19.5$	4	PCS	
10	DYJ-431010-03600H	Cover main pipe center	1	PCS	
11	DYJ-841422-003008	Hexagon socket big head cap	1	PCS	
12	DYJ-811710-024000	Rubber washer	1	PCS	
14	DYJ-P1667A-840000	Hexagonal flange bolt GB/T 16674.1	2	PCS	
15	DYJ-367100-021002	Front Windshield bracket	1	PCS	
15.1		Front Windshield bracket, LH	1	PCS	
15.2		Front Windshield bracket, RH	1	PCS	
16	DYJ-441500-028000	3D emblem- GPX	1	PCS	
17	DYJ-441500-034000	3D emblem-B POPZ 110	1	PCS	

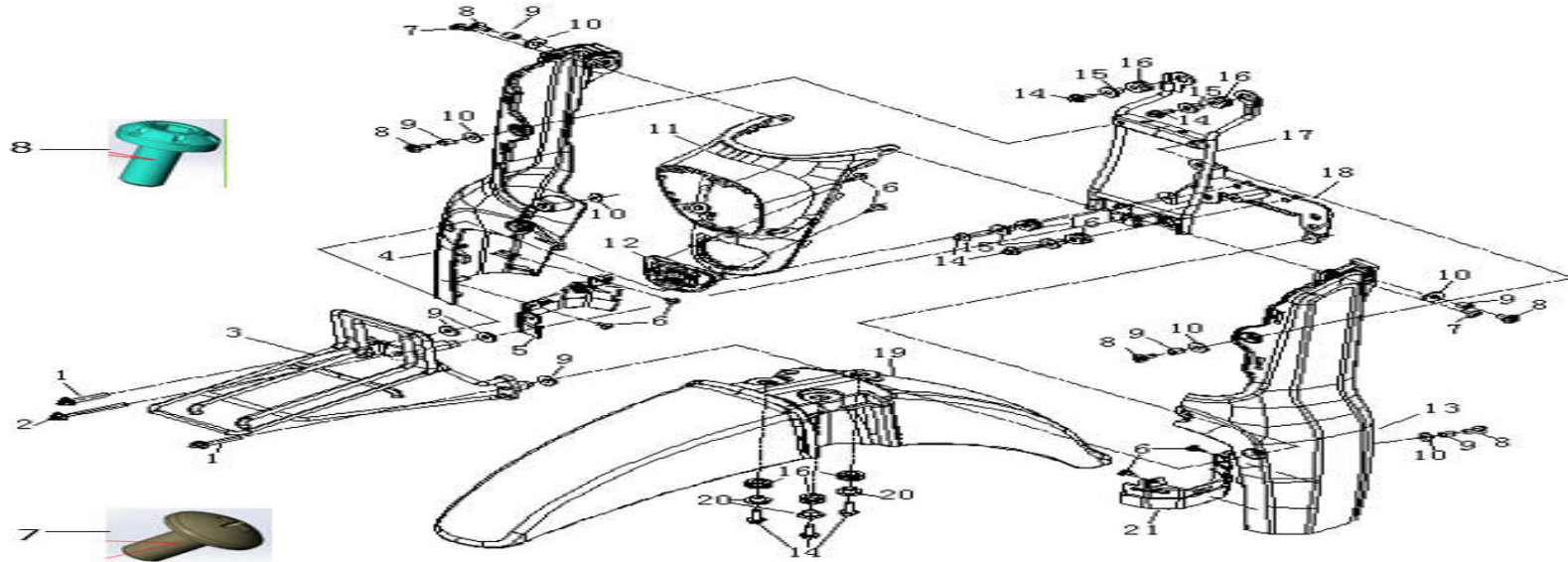
STEERING STEM ASSY



NO.	PARTS CODE	ENGLISH DESCRIPTION	QTY	UNITS	ORDER
1	DY1-861130-000010	Bearing, ball,upper No.1	1	PCS	
2	DY1-861230-000010	Bearing, ball,lower No.2	1	PCS	
3	DY1-861110-000010	Bearing, seat returing,upper No.3	1	PCS	
4	DY1-861210-000010	Bearing, seat returing,lower No.4	1	PCS	
5	DYJ-842300-007000	Steering nut No.5	1	PCS	
6	DY1-861120-000010	Bearing, upper returning No.6	1	PCS	
7	DY1-861220-000010	Bearing, Lower returning No.7	1	PCS	
8	DYJ-541006-003000	Dust seal No.8	1	PCS	
9	DYJ-541005-001000	Steering washer No.9	1	PCS	
10	DYJ-541004-001000	Steering washer No.10	1	PCS	

11	DYJ-542000-033000	STEERING STEM	1	PCS	
12	DYJ-842200-003000	Steering adjustment nut No.12	1	PCS	
13	DYJ-P1667B-134000	Hexagonal flange bolt GB/T 16674.1	4	PCS	
14	DYJ-540000-FAM001	Steering steam SETS	1	PCS	
15		Bearing SETS	1	PCS	
16	DYJ-541003-010001	Speed counter clip	1	PCS	
17	DYJ-P096.1-279000	Washr ϕ 6	1	PCS	
18	DYJ-P1667A-840000	Hexagonal flange bolt GB/T 16674.1	1	PCS	

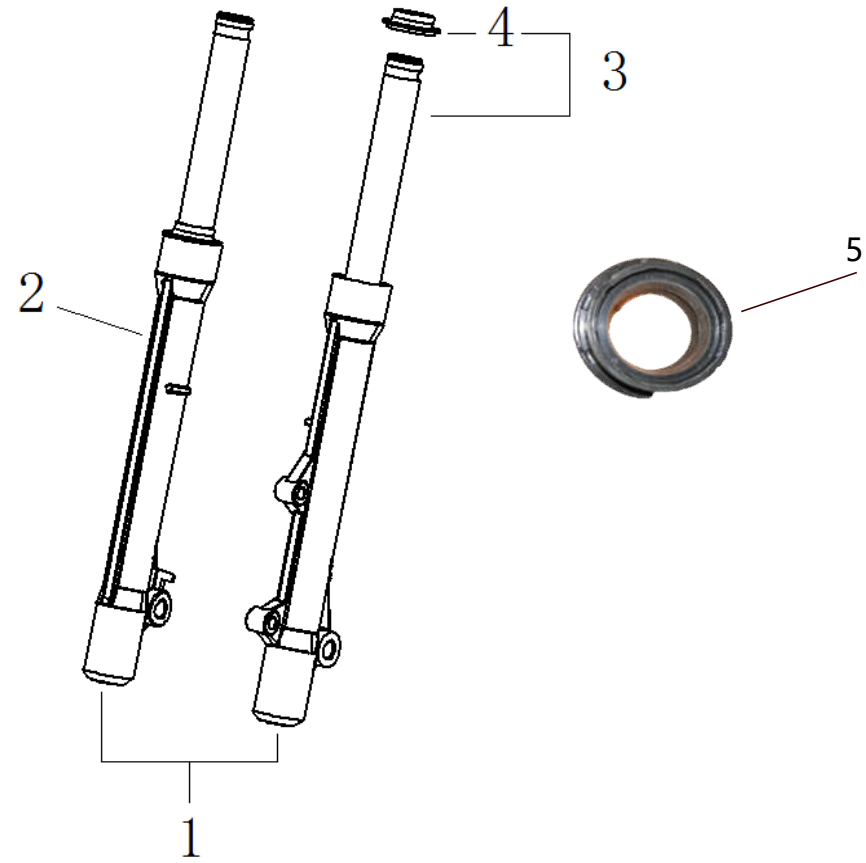
HEADLIGHT COVER, FRONT FENDER AND FRONT SHOCK COVER



NO.	PARTS CODE	ENGLISH DESCRIPTION	QTY	UNITS	ORDER
1	GB/T-P1667A-063516	Hexagonal flange bolt GB/T 16674.1 M6×35	2	PCS	
2	GB/T-B1667A-606517	Hexagonal flange bolt GB/T 16674.1	1	PCS	
3	DYJ-322000-027002	Front carry	1	PCS	
4	DYJ-470026-001001-14700000	Front shock cover,RH with painting red	1	PCS	
4	DYJ-470026-001001-62400000	Front shock cover,RH with painting black		PCS	
4	DYJ-470025-001000	Front shock cover,RH no painting	1	PCS	
5	DYJ-470028-000005	Front shock decoration cover,RH with	1	PCS	
5	DYJ-470027-000000	Front shock decoration cover,RH no	1	PCS	
6	DYJ-C00845-421000	Cross recessed pan head tapping screws	6	PCS	
7	DYJ-P00818-087000	Pan head screws with cross recess, M5×16	2	PCS	

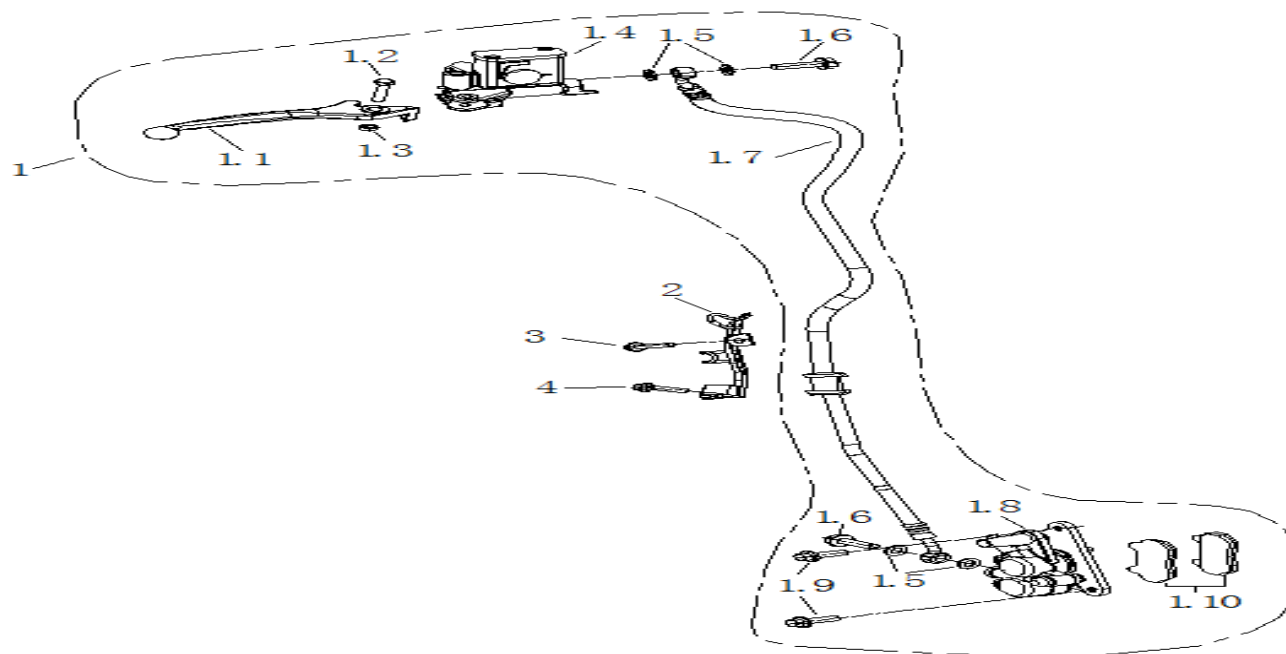
8	DYJ-841422-007000	Hexagon socket big head cap	5	PCS	
9	DYJ-842018-020000	Bush ID Φ 6.5×L7/OD9	5	PCS	
10	DYJ-811710-024000	Rubber washer	9	PCS	
11	DYJ-437000-191001-71500000	Front decoration chrome	1	PCS	
11	DYJ-437000-191001-45300000	Front decoration BLUE	1	PCS	
11	DYJ-437000-191001-14900000	Front decoration PINK	1	PCS	
11	DYJ-437000-191001-23200000	Front decoration ORANGE	1	PCS	
11	DYJ-4P7000-019000	Front decoration no painting	1	PCS	
12	DYJ-363739-000005	Front decoration cover with painting	1	PCS	
12	DYJ-363738-000000	Front decoration cover no painting	1	PCS	
13	DYJ-470022-001001-14700000	Front shock cover,LH with painting red	1	PCS	
13	DYJ-470022-001001-62400000	Front shock cover,LH with painting black	1	PCS	
13	DYJ-470021-001000	Front shock cover,LH no painting	1	PCS	
14	DYJ-P1667A-855000	Bolt GB/T16674.1-2004 M6×20	7	PCS	
15	DYJ-843210-010000	Bush Φ 6.5×8/ Φ 18×2+ Φ 8.5×6	4	PCS	
16	DYJ-810103-071000	H rubber	7	PCS	
17	DYJ-368500-014002	Front headlight decoration cover bracket,A	1	PCS	
18	DYJ-368501-675002		1	PCS	
19	DYJ-433000-C40001-62400000	Front fender with painting black	1	PCS	
19	DYJ-433000-C40001-14700000	Front fender with painting Red	1	PCS	
19	DYJ-4P3000-094000	Front fender no painting	1	PCS	
20	DYJ-843210-013000	Bush Φ 6.5×8/ Φ 18×2+ Φ 8.5×6	3	PCS	
21	DYJ-470024-000001	Front shock decoration cover,LH with	1	PCS	
21	DYJ-470023-000000	Front shock decoration cover,LH no	1	PCS	
22	DYJ-217300-058000	Side reflector	1	SETS	

FRONT SHOCK



NO.	PARTS CODE	ENGLISH DESCRIPTION	QTY	UNITS	ORDER
1	DYJ-510000-D6P001-76000000	Front shock	1	PCS	
2	DYJ-510010-046001-76100000	Front shock, LH	1	PCS	
3	DYJ-510020-046001-76100000	Front shock, RH	1	PCS	
4	DYJ-511001-010000	Seal shock inner, $\Phi 26 \times \Phi 37 \times 10.5$	1	PCS	
5	DYJ-511001-011000	Seal shock out, $\Phi 26 \times \Phi 37.5 \times 14.5$	1	PCS	

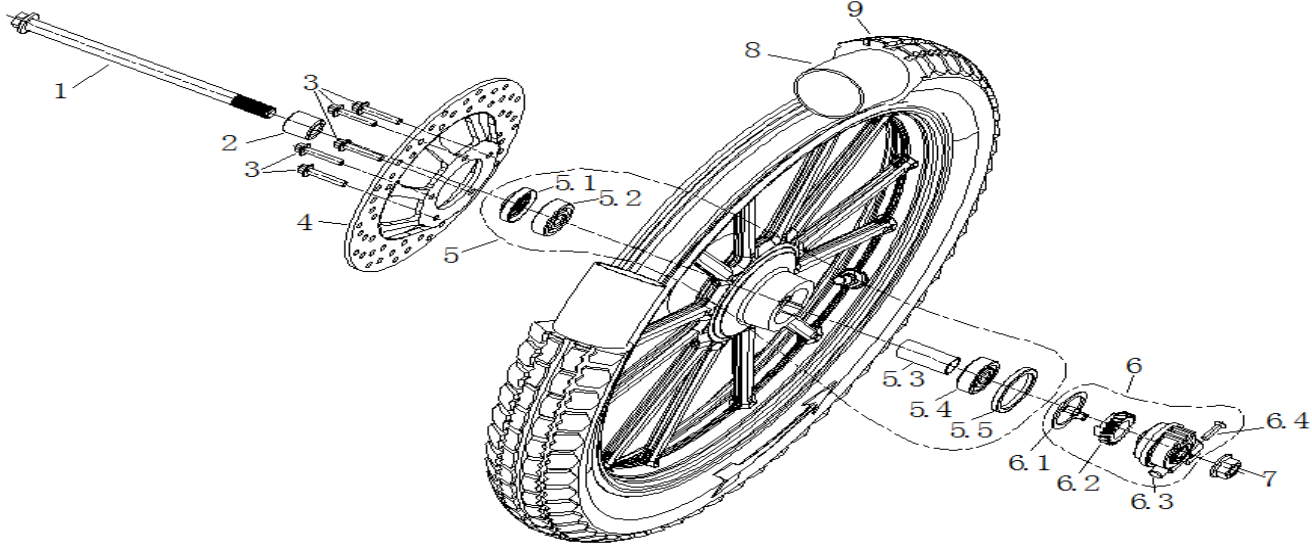
FRONT BREAK PUMP ASSY



NO.	PARTS CODE	ENGLISH DESCRIPTION	QTY	UNITS	ORDER
1	DYJ-662000-134001-60100000	Front break bump assy	1	PCS	
1.1	DYJ-661001-022001	Front brake lever	1	PCS	
1.2	DYJ-662026-002000	Bolt for break lever	1	PCS	
1.3	DYJ-A61871-2*K000	Lock Nut M6	1	PCS	
1.4	DYJ-810034-009000	Front break bump and oil pipe	1	PCS	
1.4	DYJ-662300-051000	Front break bump,main bump upper	1	PCS	

1.5		Washer for break bump, $\Phi 10 \times \Phi 15 \times 1.5$	2	PCS	
1.6		Bolt for break bump, M10 \times 1.25 \times 22	2	PCS	
1.7	DYJ-662206-006000	Oil bump pipe, Fr	1	PCS	
1.8	DYJ-662100-024000	Front break bump, master bump lower	1	PCS	
1.9	DYJ-P1667A-837000	Bolt GB/T16674.1-2004 M8 \times 25	2	PCS	
1.10	DYJ-662500-026000	Comp. fr. brake shoe (disc.)	1	PCS	
2	DYJ-880021-017002	Break bump clip	1	PCS	
3	DYJ-P1667A-861000	Bolt GB/T16674.1-2004 M6 \times 35	1	PCS	
4	DYJ-P1667A-840000	Bolt GB/T16674.1-2004 M6 \times 12	1	PCS	

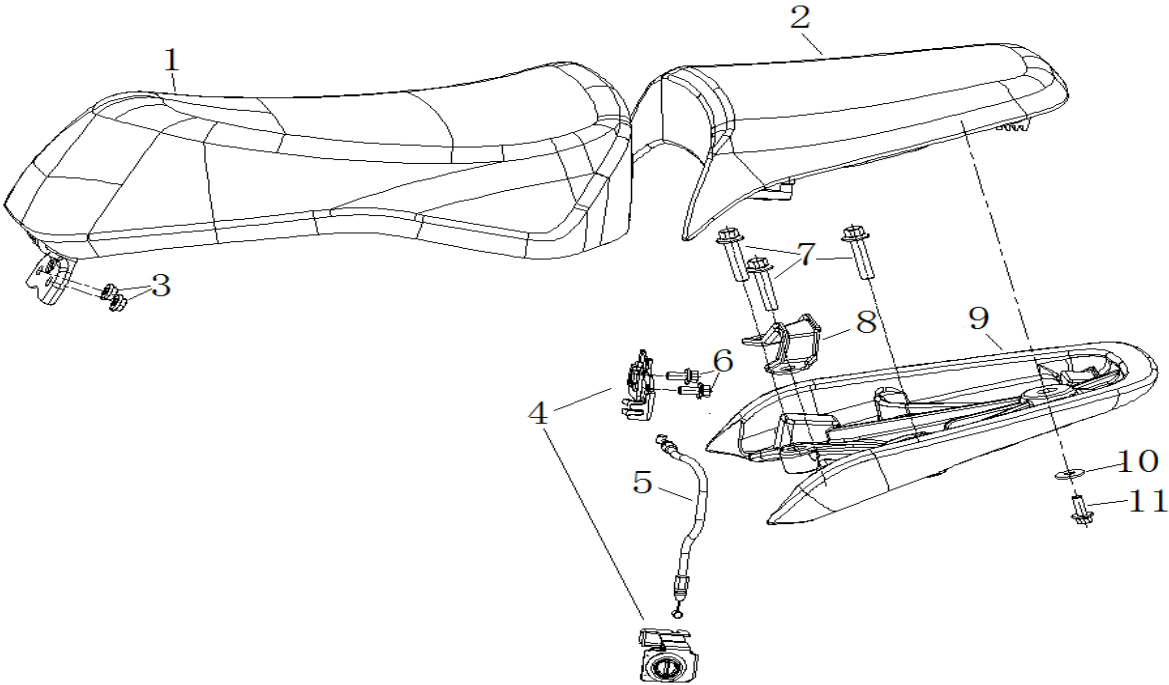
FRONT WHEEL



NO.	PARTS CODE	ENGLISH DESCRIPTION	QTY	UNITS	ORDER
1	DYJ-841001-E8U000	Fr. Wheel axle	1	PCS	
2	DYJ-843002-33S000	Front wheel bush,RH	1	PCS	
3	DYJ-P1667A-834000	Bolt for fix disk, M6×20	5	PCS	
4	WL1-663000-000011-60100000	Front disk	1	PCS	
5	DYJ-611000-D1K001-0000027M	Front wheel	1	PCS	
5.1	BXB4-611022-000000	Seal	1	PCS	
5.2	GB/T-P00276-6301/210	Bearing	1	PCS	
5.3	DYJ-611021-EAD000	Front wheel collar	1	PCS	

5.4	GB/T-P00276-6301/210	Bearing	1	PCS	
5.5	BXB4-221102-000000	Speed counter seal	1	PCS	
6	WYZL2-221100-000011-	Speed counter	1	PCS	
6.1	DYJ-221108-000000	Speed counter drive plate	1	PCS	
6.2	DYJ-221101-003000	Worm and gear	1	PCS	
6.3	DYJ-221109-000000	Speed counter case	1	PCS	
6.4	GB/T-P00820-050257	Bolt GB/T 820-2000 M5×20	1	PCS	
7	DYJ-P6187B-163000	Nut 6187.2-200 M12×1.25	1	PCS	
8	DYJ-611210-000010	Front tyre	1	PCS	
9	DYJ-611220-010010	Front inner tyre	1	PCS	

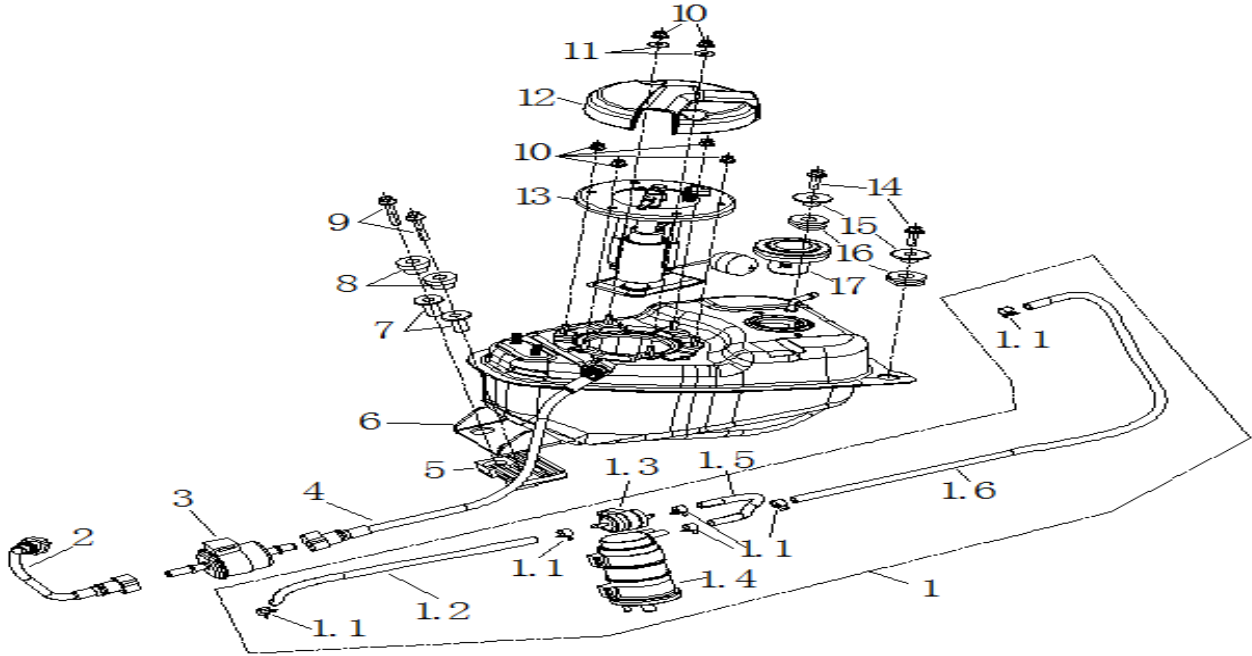
SEAT AND REAR ARM REST



NO.	PARTS CODE	ENGLISH DESCRIPTION	QTY	UNITS	ORDER
1	DYJ-422001-342000-90800000	Front seat,brown	1	PCS	
	DYJ-422001-342000-14800000	Front seat,red	1	PCS	
	DYJ-422001-342000-60100000	Front seat,black	1	PCS	
2	DYJ-422002-016000-90800000	Rear seat brown	1	PCS	
	DYJ-422002-016000-14800000	Rear seat red	1	PCS	

	DYJ-422002-016000-60100000	Rear seat black	1	PCS	
3	GB/T-P6177A-060016	Nut GB/T6177.1-2000 M6	2	PCS	
4	DYJ-230000-3CC000	All set lock	1	PCS	
5	DYJ-234003-015000	Seat cable	1	PCS	
6	DYJ-P1667A-840000	Hexagonal flange bolt GB/T 16674.1	2	PCS	
7	GB/T-P1667A-083516	Hexagonal flange bolt GB/T 16674.1	3	PCS	
8	DYJ-234009-000002	Seat limited bracket	1	PCS	
9	DYJ-321500-059001-76000000	Rear handle holder	1	PCS	
10	DYJ-P096.1-279000	Washr 96.1 ϕ 6	1	PCS	
11	DYJ-P1667A-841000	Hexagonal flange bolt GB/T 16674.1	1	PCS	

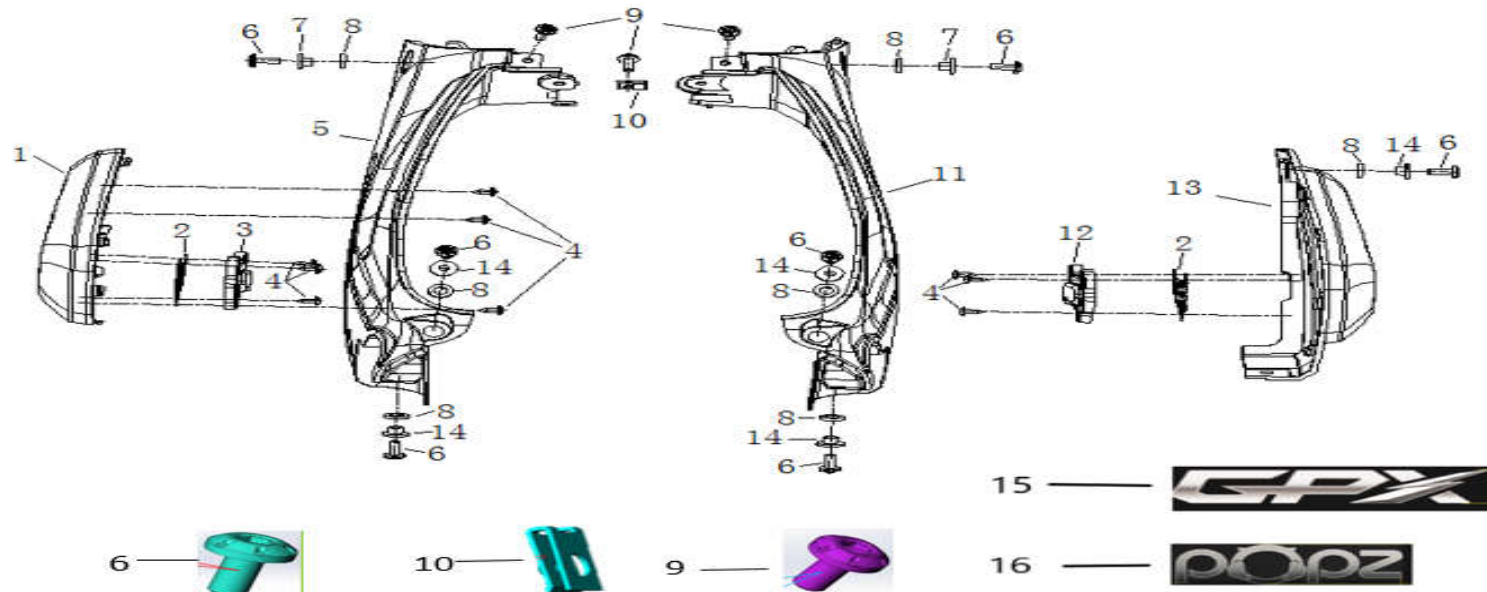
FUEL TANK



NO.	PARTS CODE	ENGLISH DESCRIPTION	QTY	UNITS	ORDER
1	DYJ-145100-044000	Carbon canister	1	PCS	
1.1	DYJ-145008-030006	carbon clip	6	PCS	
1.2	DYJ-814300-A04000	carbon pipe 1	1	PCS	

1.3	DYJ-145120-000010	one-way valve	1	PCS	
1.4	DYJ-145100-043000	Carbon body	1	PCS	
1.5	DYJ-416102-A04000	carbon pipe 2	1	PCS	
1.6	DYJ-416102-A05000	carbon pipe 3	1	PCS	
2	DYJ-814310-E3E000	Oil pipe A	1	PCS	
3	DYJ-814400-CBE000	Fuel filter	1	PCS	
4	DYJ-814320-026000	Oil pipe B	1	PCS	
5	DYJ-811130-FEH000	Fuel tank rubber, Rr	1	PCS	
6	DYJ-410000-4FR001	Fuel tank with painting	1	PCS	
7	DYJ-121003-002009	Flanged bushing	2	PCS	
8	DYJ-811143-89E000	T rubber for fuel tank	2	PCS	
9	GB/T-P1667A-063516	Hexagonal flange bolt GB/T 16674.1	2	PCS	
10	GB/T-P6177A-050016	Nut GB/T6177.1-2000 M5	6	PCS	
11	GB/T-P096.1-050016	Washr 96.1 ϕ 5	2	PCS	
12	DYJ-151029-00000H	Oil bump decoration	1	PCS	
13	DYJ-260300-005000	Electric fuel injection pump	1	PCS	
14	DYJ-P1667A-855000	Hexagonal flange bolt GB/T 16674.1	2	PCS	
15	DYJ-843210-011000	Bush Φ 9 \times 10/ Φ 28 \times 2+12 \times 8	2	PCS	
16	DYJ-810103-078000	H rubber Φ 11 \times 9/ Φ 15 \times 3/ Φ 28 \times 3- Φ 22 \times 3	2	PCS	
17	DYJ-230000-3CC000	All set lock	1	PCS	

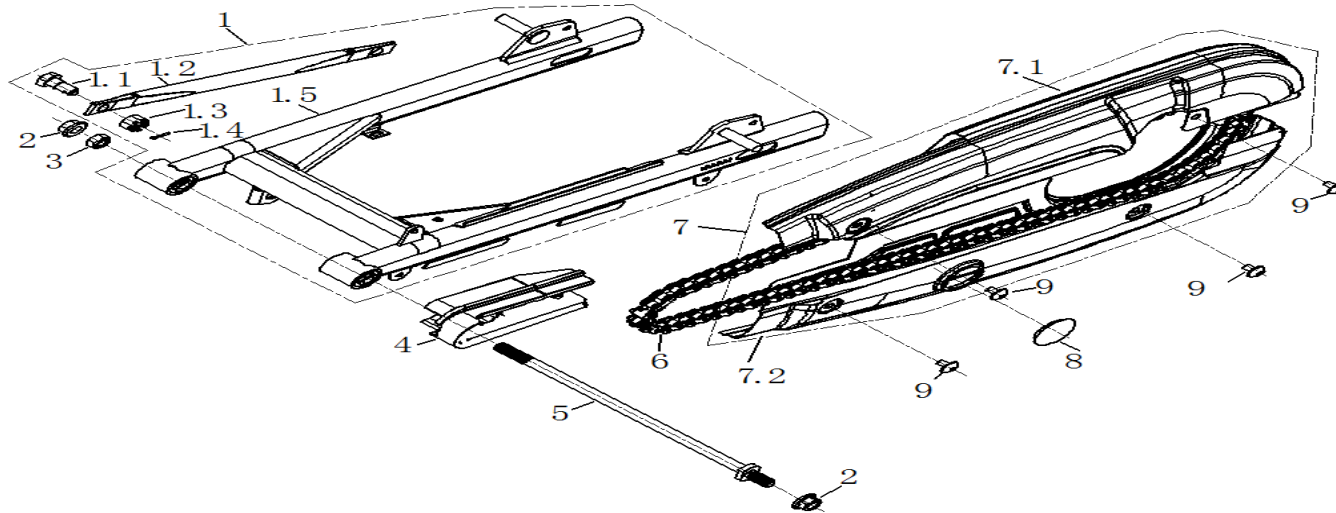
BODY COVER RH/LH AND SIDE COVER



NO.	PARTS CODE	ENGLISH DESCRIPTION	QTY	UNITS	ORDER
1	DYJ-430114-015001-81800000	LH side cover with painting white	1	PCS	
	DYJ-430114-015001-62400000	LH side cover with painting black	1	PCS	
	DYJ-430113-015000	LH side cover no painting	1	PCS	
2	DYJ-350045-000002	Side cover Metal Mesh	2	PCS	
3	DYJ-431013-01500H	LH side cover mesh	1	PCS	
4	DYJ-C00845-421000	Cross recessed pan head tapping screws	9	PCS	
5	DYJ-430110-893001-818H2000	LH side body cover with painting white	1	PCS	
	DYJ-430110-893001-624H2000	LH side body cover with painting black	1	PCS	

	DYJ-430110-893001-624HE000	LH side body cover with painting blue	1	PCS	
	DYJ-430110-893001-624HF000	LH side body cover with painting pink	1	PCS	
	DYJ-430110-893001-624HG000	LH side body cover with painting orange	1	PCS	
	DYJ-4P0110-032000	LH side body cover no painting	1	PCS	
6	DYJ-841422-007000	Hexagon socket big head cap	7	PCS	
7	DYJ-843210-012000	Bush $\Phi 6.5 \times 9 / \Phi 18 \times 2 + \Phi 9 \times 7$	2	PCS	
8	DYJ-811710-024000	Rubber washer	7	PCS	
9	DYJ-841422-009000	Hexagon socket big head cap	3	PCS	
10	DYJ-842010-863000	Clip nut M5×19	1	PCS	
11	DYJ-430120-913001-818H2000	RH side body cover with painting white	1	PCS	
	DYJ-430120-913001-624H2000	RH side body cover with painting black	1	PCS	
	DYJ-430120-913001-624HE000	RH side body cover with painting blue	1	PCS	
	DYJ-430120-913001-624HF000	RH side body cover with painting pink	1	PCS	
	DYJ-430120-913001-624HG000	RH side body cover with painting orange	1	PCS	
	DYJ-4P0120-031000	RH side body cover no painting	1	PCS	
12	DYJ-431014-01500H	RH side cover mesh	1	PCS	
13	DYJ-432000-A82001-81800000	RH side cover with painting white	1	PCS	
	DYJ-432000-A82001-62400000	RH side cover with painting black	1	PCS	
	DYJ-4P2000-083000	RH side cover no painting	1	PCS	
14	DYJ-843210-013000	Bush $\Phi 6.5 \times 8 / \Phi 18 \times 2 + \Phi 8.5 \times 6$	5	PCS	
15	DYJ-441500-028000	3D emblem- GPX	2	PCS	
16	DYJ-441500-027000	3D emblem-A POPZ	2	PCS	

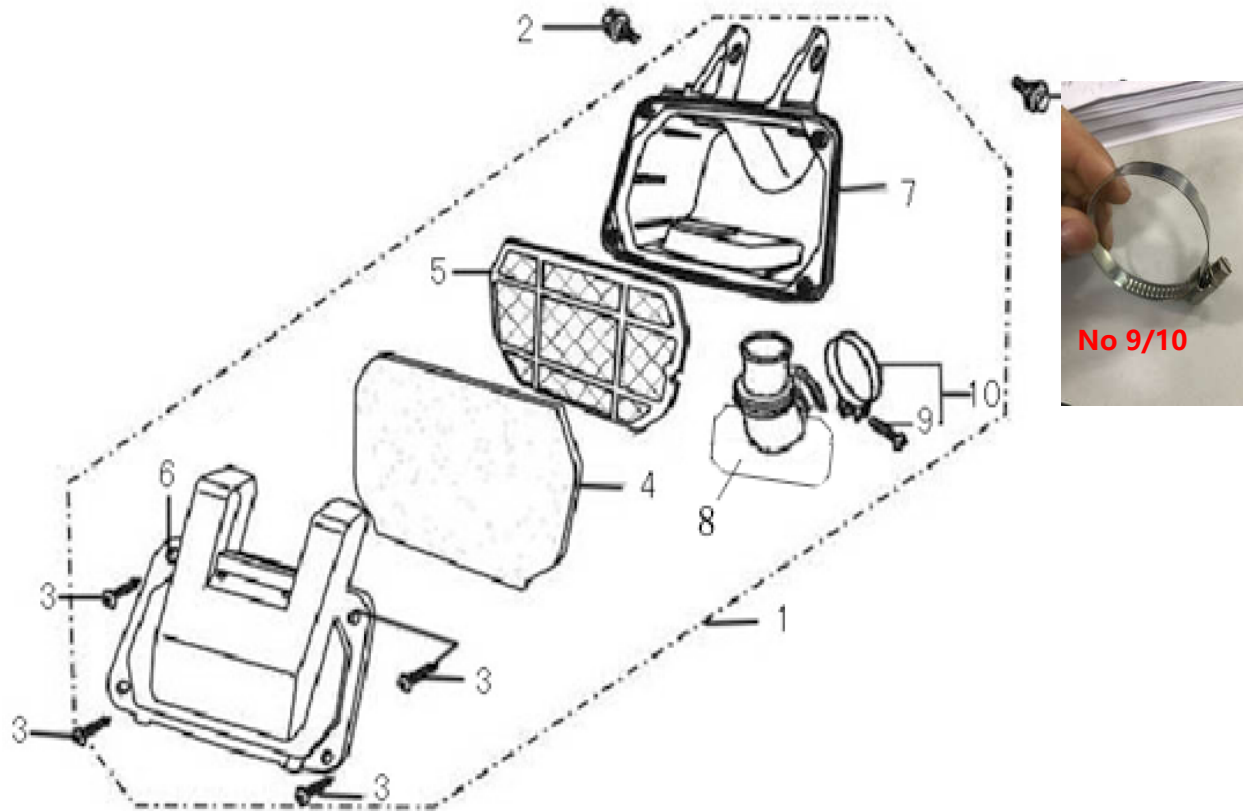
SWING ARM AND CHAIN COVER



NO.	PARTS CODE	ENGLISH DESCRIPTION	QTY	UNITS	ORDER
1	DYJ-330000-294001-60100000	Swing arm	1	PCS	
1.1	DYJ-841302-002000	Step bolt	1	PCS	
1.2	DYJ-330100-001000	Rr. Break rod	1	PCS	
1.3	DYJ-A61871-2*L000	Slotted nutM10	1	PCS	
1.4	DYJ-P00091-334000	Pin ,2×25	1	PCS	
1.5	DYJ-331000-001000	Swing arm only	1	PCS	
2	DYJ-P6187B-165000	Nut 6187.2-200 M12×1.25	2	PCS	
3	DYJ-P06171-124000		1	PCS	
4	DYJ-812000-063000	Chain guard rubber	1	PCS	
5	DYJ-841003-052000	Swing arm axle	1	PCS	

6	DYJ-640000-440010	Chain	1	PCS	
7	DYJ-450000-616001-76000000	Chain cover	1	PCS	
7.1	DYJ-451000-004000	Chain cover upper	1	PCS	
7.2	DYJ-452000-004000	Chain cover lower	1	PCS	
8	DYJ-114002-014000	View cover,chain	1	PCS	
9	DYJ-841422-005000	Hexagon socket big head cap	4	PCS	

AIR FILTER

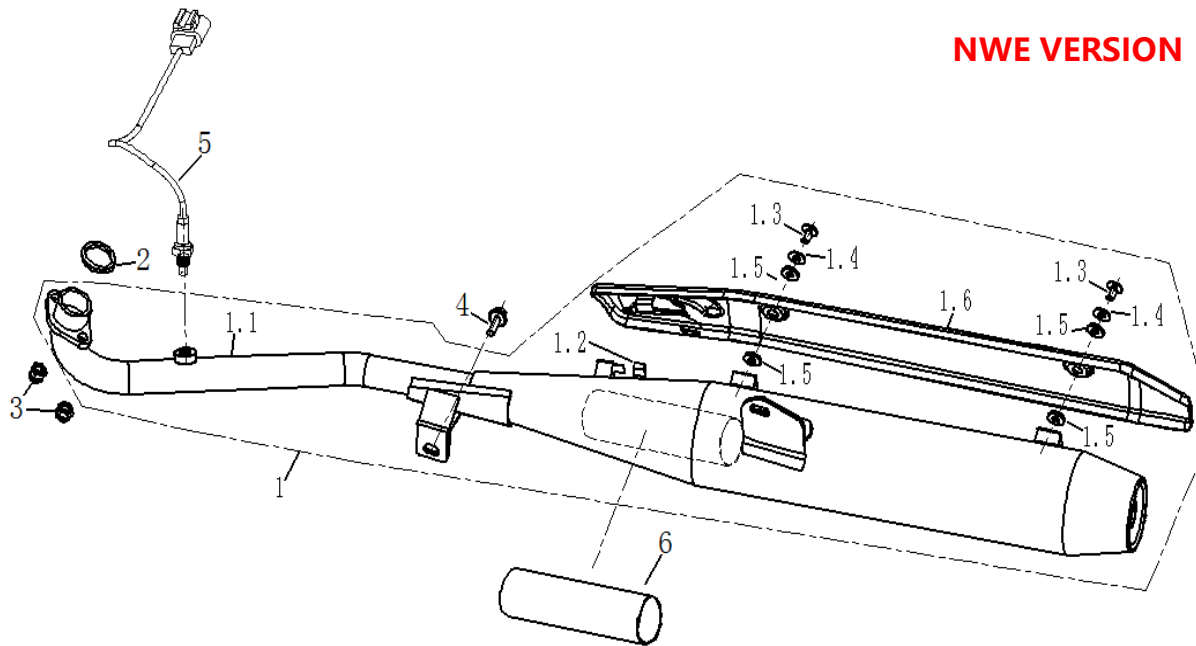


NO.	PARTS CODE	ENGLISH DESCRIPTION	QTY	UNITS	ORDER
1	DYJ-141000-EB8000	Air fliter	1	PCS	
2	DYJ-841300-108000	Hexagonal flange strp bolt M6×12	2	PCS	

3	GB/T-P00845-481616	Cross recessed pan head tapping screws	4	PCS	
4	DYJ-141092-016000	Air filter inside filter	1	PCS	
5	DYJ-141013-001000	Air filter holder	1	PCS	
6	DYJ-141012-002000	Air filter case A	1	PCS	
7	DYJ-141010-022000	Air filter case B	1	PCS	
8	DYJ-141014-000000	Air filter exhaust pipe	1	PCS	
9/10	DYJ-145103-051000	Air filte Clip, stainless	1	PCS	
10	DYJ-145103-051000	Air filter clip	1	PCS	

MUFFLER

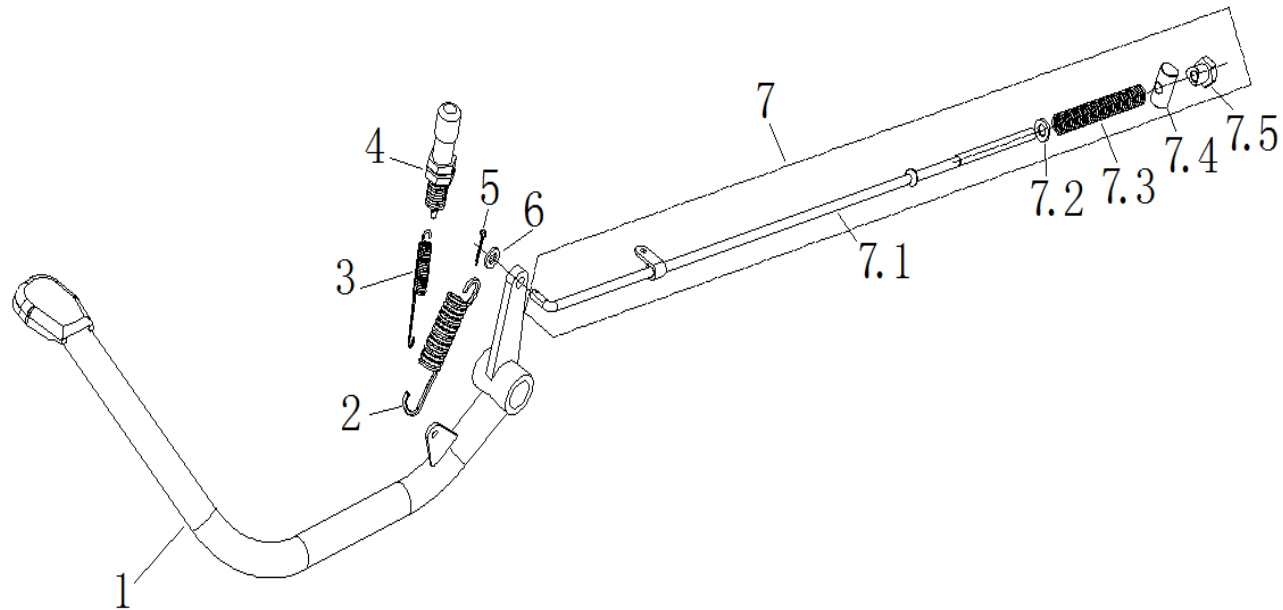
NWE VERSION



NO.	PARTS CODE	ENGLISH DESCRIPTION	QTY	UNITS	ORDER
1	DYJ-144000-BBH001-VB700277	Muffler assy	1		
1.1		Muffler body only	1		
1.2		Muffler decoration cover rubber cap	1		
1.3	DYJ-P070.2-088000	Pan head screws with cross recess, GB	2		

1.4	DYJ-144018-000000	Steel wire washer $\phi 6$	4		
1.6	DYJ-144010-028005	Muffler body cover for heater protect			
1.5	DYJ-P096.1-264000	Washr 96.1 $\phi 6$ stainless steel	2		
2	DY1-144300-000010	Muffler rings	1		
3	GB/T-P00923-080015	Nut GB/T802.1-2008 M8×22	2		
4	GB/T-P1667A-081216	Hexagonal flange bolt GB/T 16674.1	1		
5	DYJ-260260-014000	OXYGEN SENSOR	1		
6	DYJ-145040-799000	Catalytic	1		

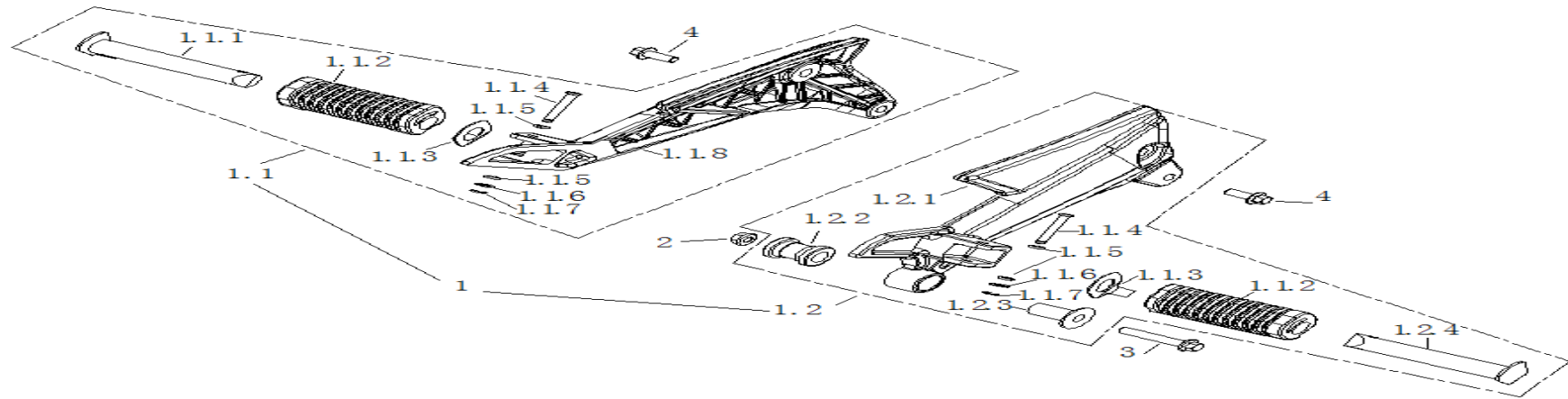
REAR BRAKE SYSTEM



NO.	PARTS CODE	ENGLISH DESCRIPTION	QTY	UNITS	ORDER
1	DYJ-721100-CD7000	Rr. Break pedal	1		
2	DYJ-820003-C7J000	Spring for rear break padel	1		
3	DYJ-820004-FBH000	Rear break switch spring	1		
4	DYJ-269000-B0F000	Rear break switch	1		
5	DYJ-P00091-331000	Pin ,2×20	1		

6	DYJ-P097.1-AYK000	Washr 97.1 ϕ 6	1		
7	DYJ-723000-AAW000	Rear break rod	1		
7.1	DYJ-473010-EDF000	Rear break rod only	1		
7.2	DYJ-P097.1-AYK000	Washr 97.1 ϕ 6	1		
7.3	DYJ-723005-001000	Rear break rod spring	1		
7.4	DYJ-P00882-067000	Rear break rod PIN	1		
7.5	DYJ-723004-001000	Rear break rod NUT	1		

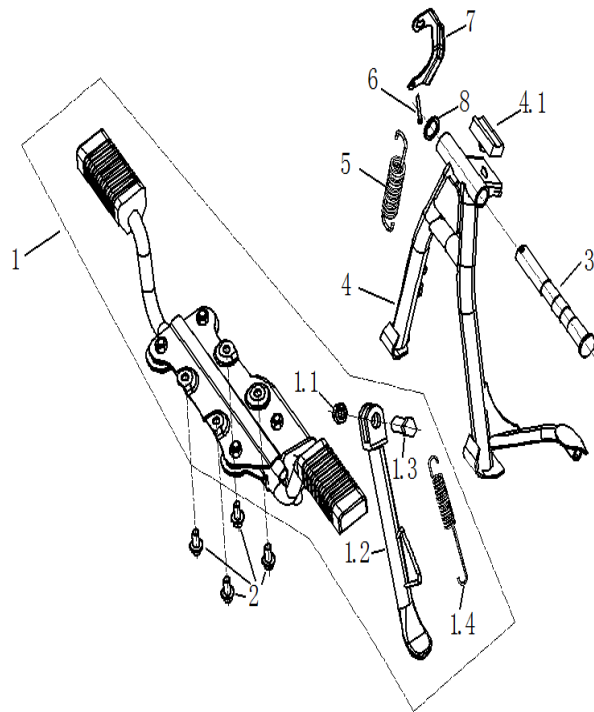
FOOTREST Rr.



NO.	PARTS CODE	ENGLISH DESCRIPTION	QTY	UNITS	ORDER
1	DYJ-352000-037001-76000000	Rear footrest set, LH/RH	1		
1.1	DYJ-352100-043001-76100000	Rear footrest,LH, by sets	1		
1.1.1	DYJ-P00882-064000	Pin for Rr. Footrest	1		
1.1.2	DYJ-352003-002000	Rr footrest rubber	2		
1.1.3	DYJ-352006-000000	Rr footrest Locked washer	2		
1.1.4	DYJ-P00882-066000	Pin 6×40	2		
1.1.5	DYJ-F01002-213000	O ring	4		

1.1.6	DYJ-P097.1-AYK000	washer $\phi 6$	2		
1.1.7	DYJ-A00896-122000	split washer $\phi 5$	2		
1.1.8	DYJ-352100-045001	Rear footrest,LH,, body only no accessory	1		
1.2	DYJ-352200-043001-76100000	Rear footrest,RH	1		
1.2.1	DYJ-352200-045001	Rear footrest,RH,body only no accessory	1		
1.2.2	DYJ-810103-082000	H rubber for Rr footrest	1		
1.2.3	DYJ-843200-705000	Flanging washer	1		
1.2.4	DYJ-P00882-065000	Pin for Rr. Footrest	1		
2	DYJ-P6187A-146000	All-metal hexagonal flange locking nut M8	1		
3	DYJ-P1667A-853000	Hexagonal flange bolt M8×50	1		
4	DYJ-P1667A-845000	Hexagonal flange bolt M8×20	2		

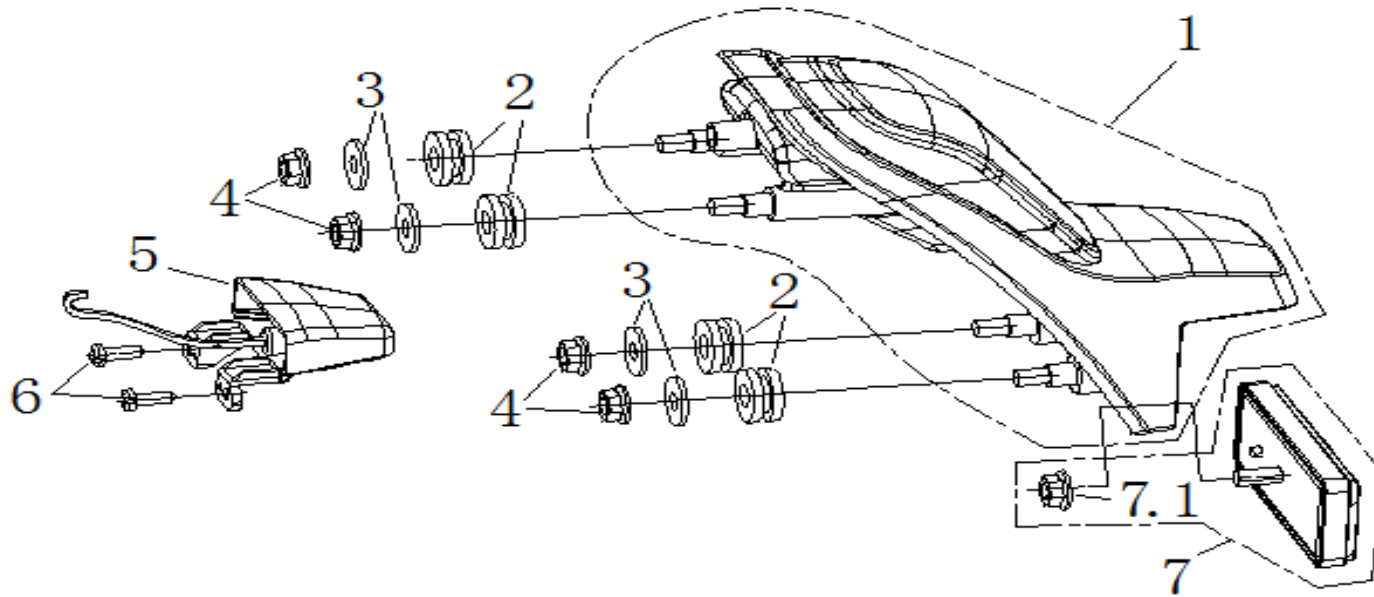
FOOTREST Fr. MAIN STAND AND SIDE STAND



NO.	PARTS CODE	ENGLISH DESCRIPTION	QTY	UNITS	ORDER
-----	------------	---------------------	-----	-------	-------

1	DYJ-342000-170002	Side stand	1		
1.1	DYJ-P06171-123007	Side stand NUT	1		
1.2	DYJ-342200-2EG002	Side stand only	1		
1.3	DYJ-841302-003000	Side stand step bolt	1		
1.4	DYJ-820001-038000	Side stand spring	1		
2	DYJ-P1667A-844000	Hexagonal flange bolt GB/T 16674.1	4		
3	DYJ-841004-059000	Main stand shaft	1		
4	DYJ-341000-125002	Main stand	1		
4.1	DYJ-810002-005000	Main stand cushion rubber	1		
5	DYJ-820002-056000	Main stand spring	1		
6	GB/T-A00091-030309	Pin ,3×30	1		
7	DYJ-350001-012000	Hook Main stand spring	1		
8	DYJ-P05287-101000	Washr 96.1 $\phi 17 \times \phi 23 \times 1.5$	1		
9	DYJ-172018-000002 +	PLATE AND NUT STEP ASSY	1		
10	DYJ-260100-041000	Side stand switch	1	PCS	

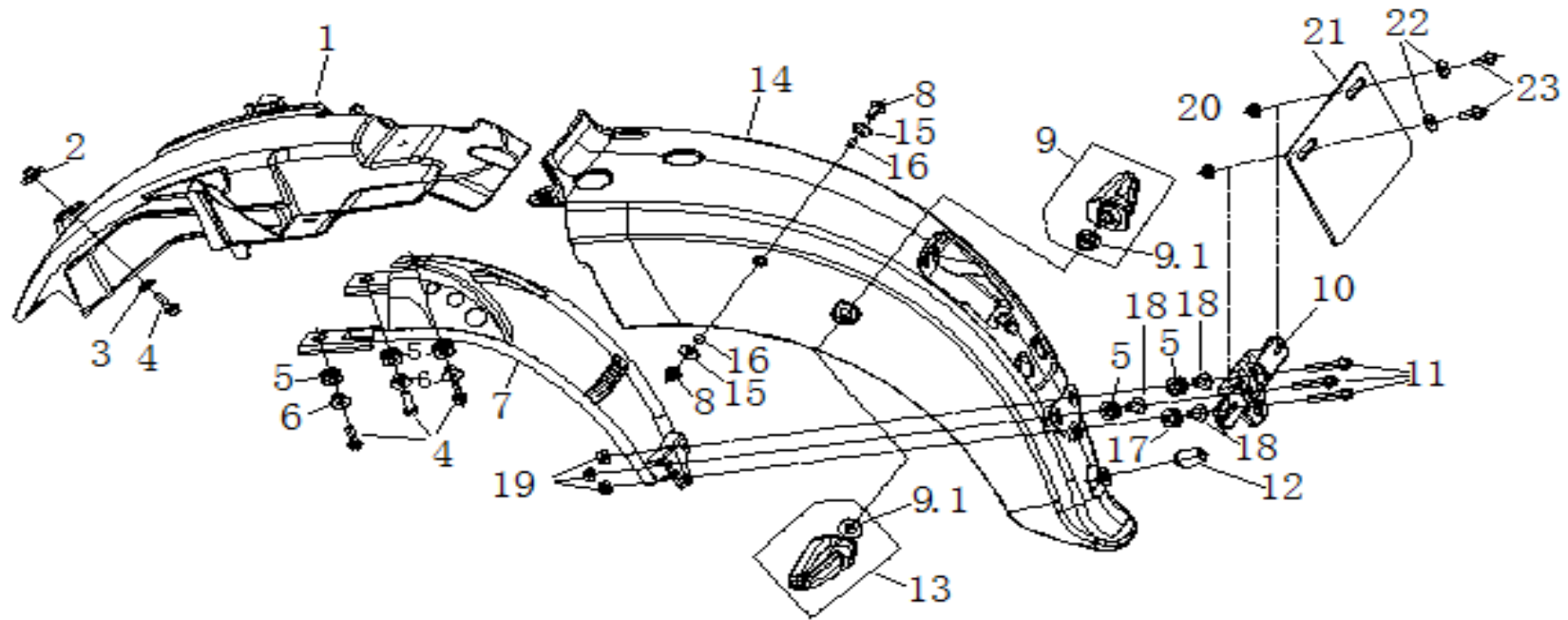
TAIL LIGHT



NO.	PARTS CODE	ENGLISH DESCRIPTION	QTY	UNITS	ORDER
1	DYJ-214000-FF5000-71500000	Tail light	1		
2	DYJ-810103-071000	H rubber $\Phi 9 \times 9 / \Phi 12 \times 3 / 2 - \Phi 19.5$	4		
3	DYJ-P096.1-279000	Washr 96.1 $\Phi 6$	4		
4	GB/T-P6177A-060016	Nut GB/T6177.1-2000 M6	4		

5	DYJ-21A000-050000	Licence light	1		
6	GB/T-B00845-350139	Cross recessed pan head tapping screws	2		
7	DYJ-217200-043000	Rr. Reflector	1		
7.1	GB/T-P6177A-060016	Nut GB/T6177.1-2000 M6	1		

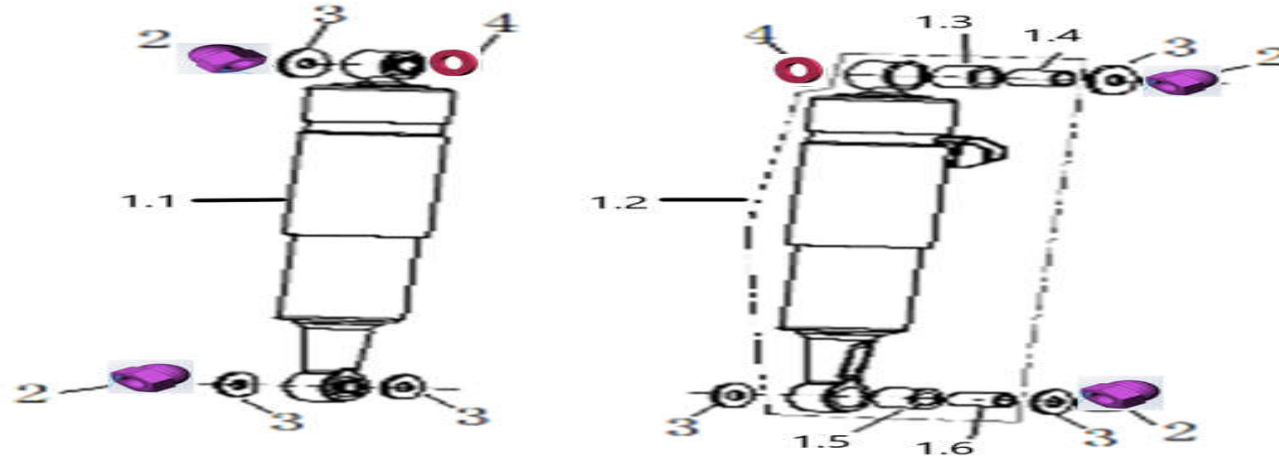
REAR FENDER



NO.	PARTS CODE	ENGLISH DESCRIPTION	QTY	UNITS	ORDER
1	DYJ-434100-03800H	Rr.fender A	1		
2	DYJ1-842010-060016	Clip nut M6×16	1		
3	DYJ-P096.1-279000	Washr 96.1 ϕ 6	1		
4	DYJ-P1667A-855000	Hexagonal flange bolt GB/T 16674.1	4		

5	DYJ-810103-071000	H rubber $\Phi 9 \times 9 / \Phi 12 \times 3/2 - \Phi 19.5$	5		
6	DYJ-843210-009000	Bush $\Phi 6.5 \times 8 / \Phi 18 \times 2 + \Phi 8.5 \times 6$	3		
7	DYJ-350002-034002	Rear fender bracket	1		
8	DYJ-841422-007000	Hexagon socket big head cap	2		
9	DYJ-213400-075000	Rr. Turning light RH.	1		
9.1	DYJ-P6177A-151000	Nut GB/T6177.1-2000 M12	2		
10	DYJ-365200-04100H	Bracket for Rr. Plate	1		
11	GB/T-P1667A-063516	Hexagonal flange bolt GB/T 16674.1	3		
12	WYY1-811052-000010	Rubber	1		
13	DYJ-213300-075000	Rr. Turning light LH.	1		
14	DYJ-434200-072001-818H2000	Rr.fender Rr. With painting white	1		
	DYJ-434200-072001-624H2000	Rr.fender Rr. With painting black	1		
	DYJ-434200-072001-624HE000	Rr.fender Rr. With painting blue	1		
	DYJ-434200-072001-624HF000	Rr.fender Rr. With painting Pink	1		
	DYJ-434200-072001-624HG000	Rr.fender Rr. With painting Orange	1		
	DYJ-4P4200-010000	Rr.fender Rr. No painting	1		
15	DYJ-811710-024000	Rubber washer	2		
16	DYJ-842018-018000	Bush ID $\Phi 6 \times L6 / OD8$	2		
17	DYJ-810103-077000	H rubber $\Phi 9 \times 9 / \Phi 12 \times 2/2 - \Phi 18 \times 3.5$	1		
18	DYJ-843210-010000	Bush $\Phi 6.5 \times 14 / \Phi 18 \times 2 + \Phi 9 \times 12$	3		
19	GB/T-P6177A-060016	Nut GB/T6177.1-2000 M6	3		
20	GB/T-P6177A-060016	Nut GB/T6177.1-2000 M6	2		
22	DYJ-P096.1-279000	Washr 96.1 $\Phi 6$	2		
23	DYJ-P1667A-841000	Hexagonal flange bolt GB/T 16674.1	2		

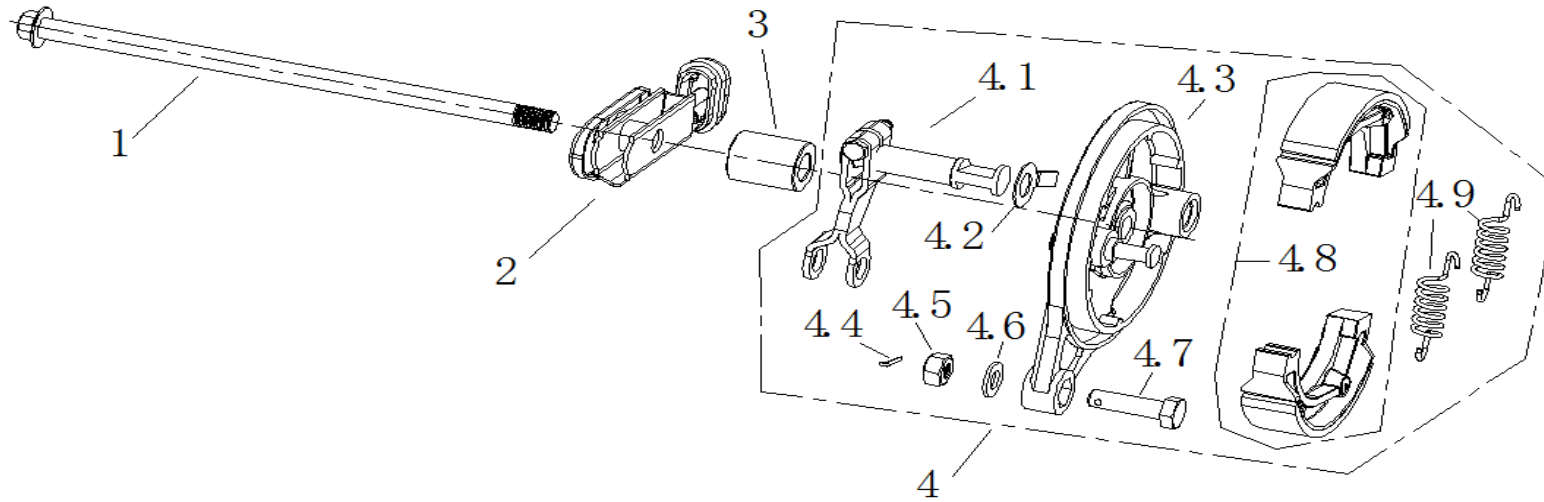
REAR SHOCK



NO.	PARTS CODE	ENGLISH DESCRIPTION	QTY	UNITS	ORDER
	DYJ-520000-D9H001-0000028P	Rear Shock,WHT	1		
1	DYJ-520000-D9H001-0000028L	Rear Shock,BLK	1		
	DYJ-521000-032001-81800000	Rear Shock, LH, WHT	1		
1	DYJ-522000-031001-81800000	Rear Shock, RH, WHT	1		
	DYJ-521000-032001-62400000	Rear Shock, LH, BLK	1		
1	DYJ-522000-031001-62400000	Rear Shock, RH, BLK	1		
1.1	DYJ-520005-001000	Rear shock up bush rubber	1		
1.2	DYJ-520001-000000	Rear shock up bush	1		
1.3	DYJ-520006-001000	Rear shock down bush rubber	1		
1.4	DYJ-520002-000000	Rear shock down bush	1		
2	DYJ-P00923-111000	Nut GB/T802.1-2008 M10×1.25	4		

3	DYJ-P096.1-284000	Washr 96.1 Φ 10 \times Φ 25 \times 2	6		
4	DYJ-P097.1-AYS000	Washr 97.1 Φ 12 \times Φ 24	2		

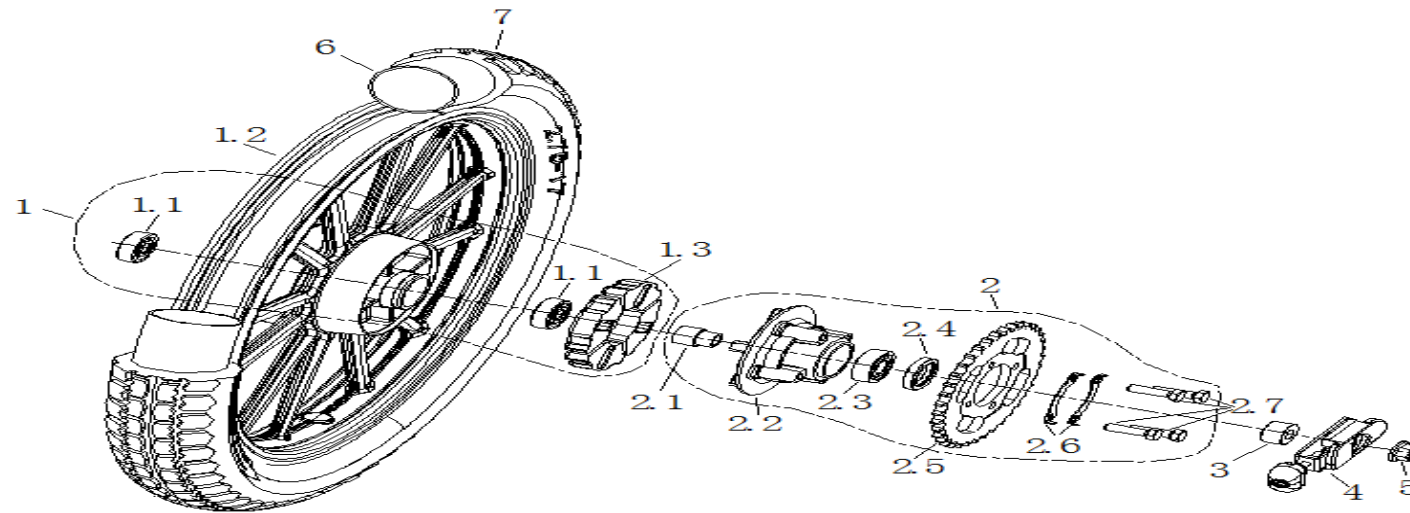
DRUM REAR BRAKE



NO.	PARTS CODE	ENGLISH DESCRIPTION	QTY	UNITS	ORDER
1	DYJ-841002-047000	Rr. Wheel axle	1		
2	DYJ-650000-049000	Chain adjust	1		
3	DYJ-843004-036000	Rr. wheel bush RH.	1		
4	DYJ-690000-136001	Rear break asy,(drum brake)	1		
4.1	DYJ-722002-000000		1		
4.2	DYJ-690005-001000	Friction indicating pad, rear brake shoe	1		
4.3	DYJ-691200-C6H000	Rr. drum break cover	1		
4.4	DYJ-P00091-331000	Pin ,2×20	1		

4.5	GB/T-P06170-080016	Nut M8	1		
4.6	DYJ-P097.1-AYN000	Washr 97.1 Φ 8	1		
4.7	DYJ-690091-002000	Rr. drum break bolt	1		
4.8	DYJ-691100-C6H000	Rr. drum break shoes	1		
4.9	DYJ-164002-061000	Rr. drum break spring	2		

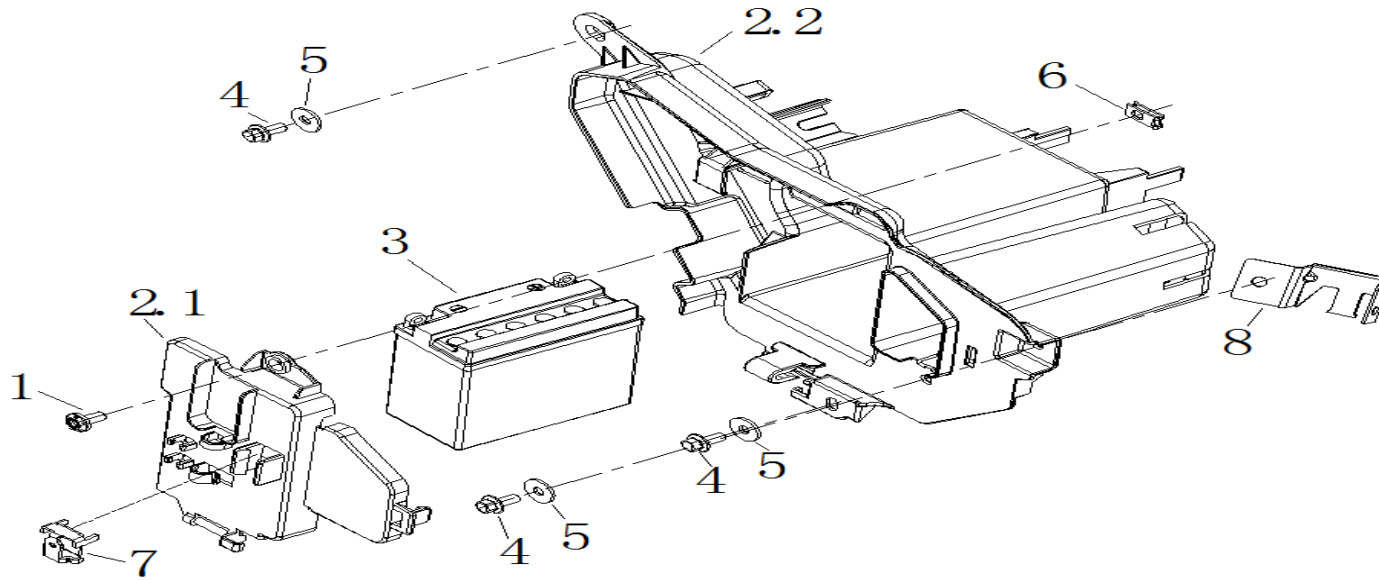
REAR WHEEL AND REAR SPROCKET



NO.	PARTS CODE	ENGLISH DESCRIPTION	QTY	UNITS	ORDER
1	DYJ-612000-DBJ001-0000027M	Rear wheel	1		
1.1	GB/T-P00276-6301/210	Bearing 6301-RS	2		
1.2	DYJ-612110-E3K000	Rear wheel body only	1		
1.3	DYJ-612094-001000	Rear wheel sushion rubber	4		
2	DYJ-630000-118001	Rear sprocket assy	1		

2.1	DYJ-843005-005000	Rear sprocket inner bush	1		
2.2	DYJ-63L000-016000	Rear sprocket body	1		
2.3	GB/T-P00276-620310	Bearing 6203	1		
2.4	DYJ-810107-009000	Seal $\phi 40 \times \phi 26 \times 6.5$	1		
2.5		Rear sprocket 428-37	1		
2.6	DYJ-630001-002000	Rear sprocket plate clip	2		
2.7	DYJ-P05783-114000	Hexagonal bolt GB/T 5783 M8×30	4		
3	DYJ-843003-033000	Rr. wheel bush LH.	1		
4	DYJ-650000-049000	Chain adjust	1		
5	DYJ-P6187B-163000	Nut 6187.2-200 M12×1.25	1		
6	DYJ-612210-010010	TUBE,REAR WHEEL	1		
7	DYJ-612220-400010	TYRE,REAR	1		

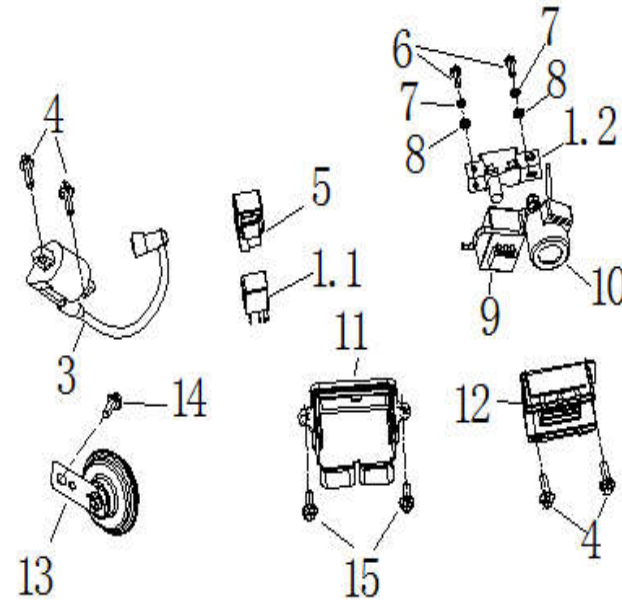
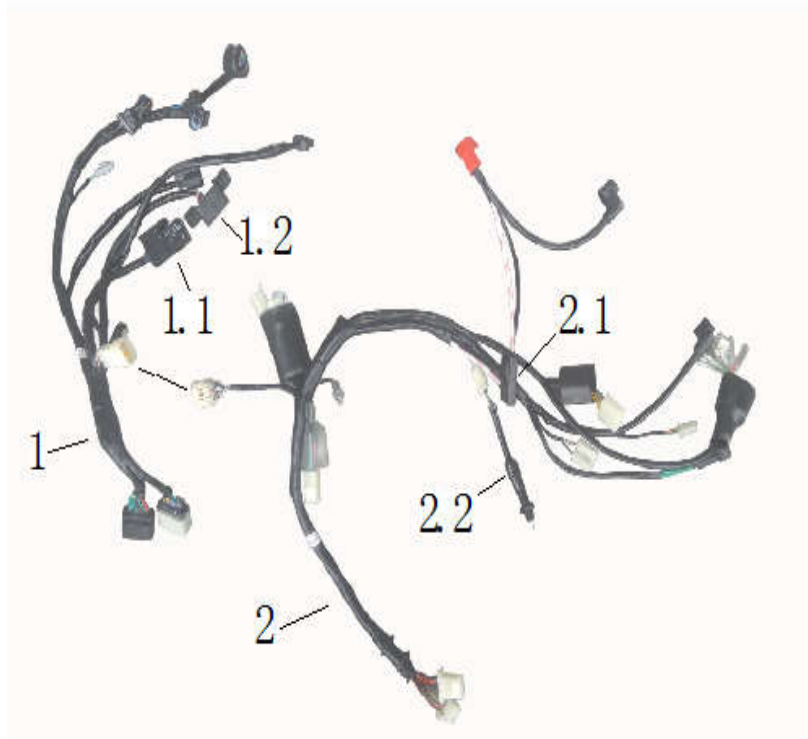
BATTERY AND BATTERY BOX



NO.	PARTS CODE	ENGLISH DESCRIPTION	QTY	UNITS	ORDER
1	DYJ-841422-009000	Hexagon socket big head cap	1		
2	DYJ-271100-01900H	Battery box	1		
2.1	DYJ-271103-004000	Battery box cover	1		
2.2	DYJ-271106-000000	Battery box body case	1		
3	DYJ-271000-EDT000	BATTERY ASSY.	1		

4	DYJ-P1667A-840000	Hexagonal flange bolt GB/T 16674.1	3		
5	DYJ-P096.1-279000	Washr 96.1 ϕ 6	3		
6	DYJ-842010-863000	Clip nut M5×19	1		
7	DYJ-267003-000002	Fuse Box - Fuel Pump	1		
8	DYJ-368603-001002	Relay Bracket	1		
	DYJ-910003-032000	Foam for battery	1		

EFI AND MAIN HARNESS

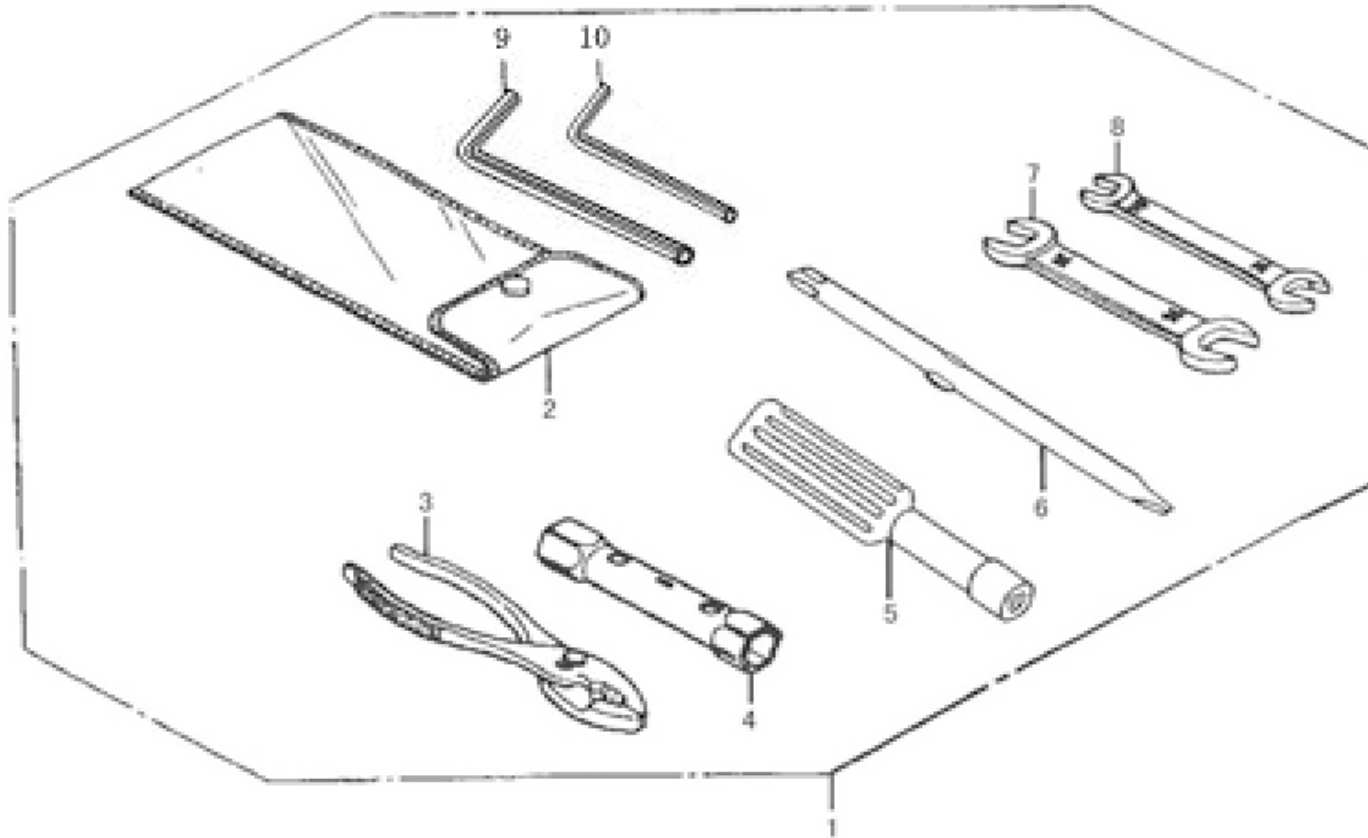


NO.	PARTS CODE	ENGLISH DESCRIPTION	QTY	UNITS	ORDER
1	DYJ-260310-063000	EFI harness	1		
1.1	DYJ-26F000-001000	Main Relay	1		
1.2		OBD connector	1		

2	DYJ-251000-F6A000	Main cable	1		
2.1		Fuse box	1		
2.2		Rear break cable	1		
3	DYJ-263000-020020	Ignition coil components	1		
4	DYJ-P1667A-855000	Hexagonal flange bolt GB/T 16674.1	4		
5	DYJ-26F200-001000	Oil Pump Relay Cover	1		
6	DYJ-P00818-085000	Pan head screws with cross recess, M5×12	2		
7	DYJ-P00093-109000	Spring Washr 93 Φ 5	2		
8	DYJ-P097.1-AYT000	Washr 97.1 Φ 5	2		
9	DYJ-264000-DFM000	#N/A	1		
10	DYJ-26A000-79J000	Start Relay	1		
11	DYJ-261000-B7N000	CDI	1		
12	DYJ-262000-220010	Regulator Components	1		
13	DYJ-241000-055001	HORN	1		
14	DYJ-P1667A-840000	Hexagonal flange bolt GB/T 16674.1	1		
15	DYJ-P1667A-841000	Hexagonal flange bolt GB/T 16674.1	2		
16	DYJ-269111-002000	Front break wire	1		

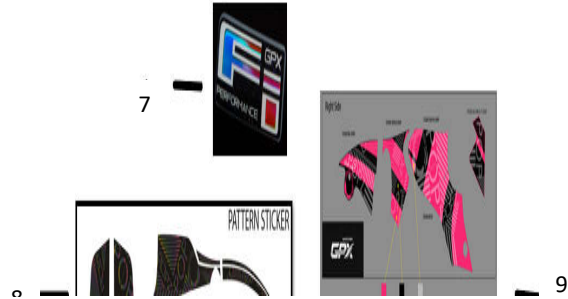
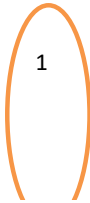
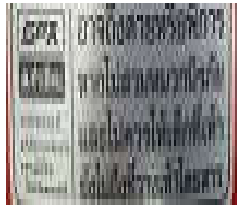
8	GB/T-P00093-100016	Spring Washr 93 Φ 10	3		
9	DYJ-P6187B-165000	Nut 6187.2-200 M10 \times 1.25	3		
10	DYJ-420001-005000	Seat rubber	1		

TOOL KITS



NO.	PARTS CODE	GPX PARTS CODE	ENGLISH DESCRIPTION	QTY	UNITS	ORDER
1	DYJ-890000-F3K000	E6007A011	TOOL KITS	1		

GENERAL





NO.	PARTS CODE	GPX PARTS CODE	ENGLISH DESCRIPTION	QTY	UNITS	ORDER
1		E6031A024	LABEL HELMET	1		
2		E6031A011	LABEL QC	1		
3		E6031A012	LABEL TIS	1		

4		E6031A013	LABEL CHAIN	1		
5		K9921A001	MANUAL,WARRANTY	1		
6	DYJ-900001-F1N000	K9922A027	MANUAL,OWNER M01	1		
7						
8	DYJ-443000-EB3000-000H209O		Sticker set wht-blk			
9	DYJ-443000-EB3000-000HE09O		Sticker set blu			
10	DYJ-443000-EB3000-000HF09O		Sticker set pnk			
11	DYJ-443000-EB3000-000HG09O		Sticker set org			